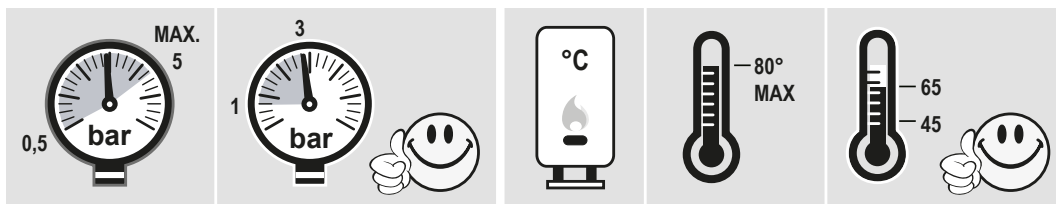
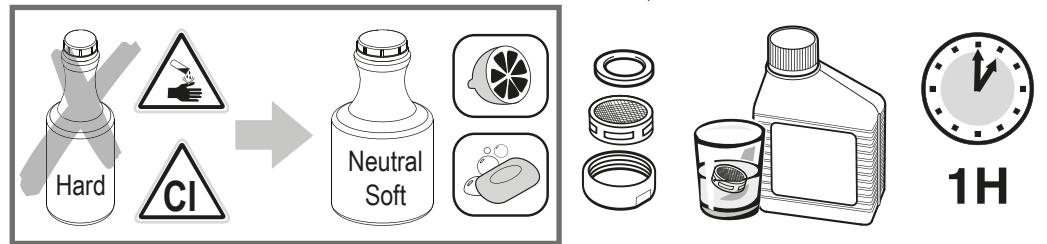
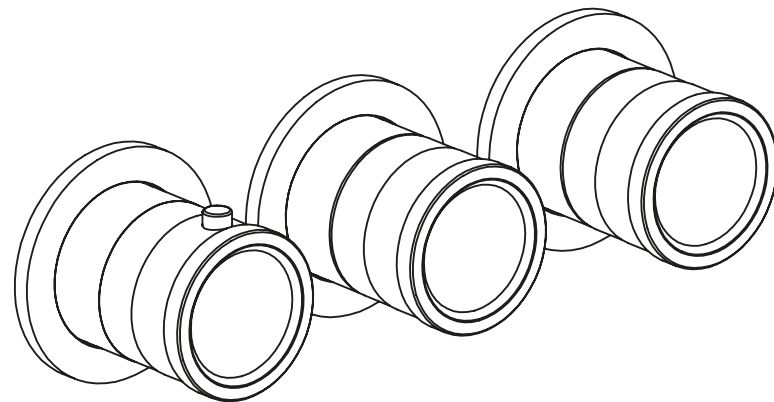
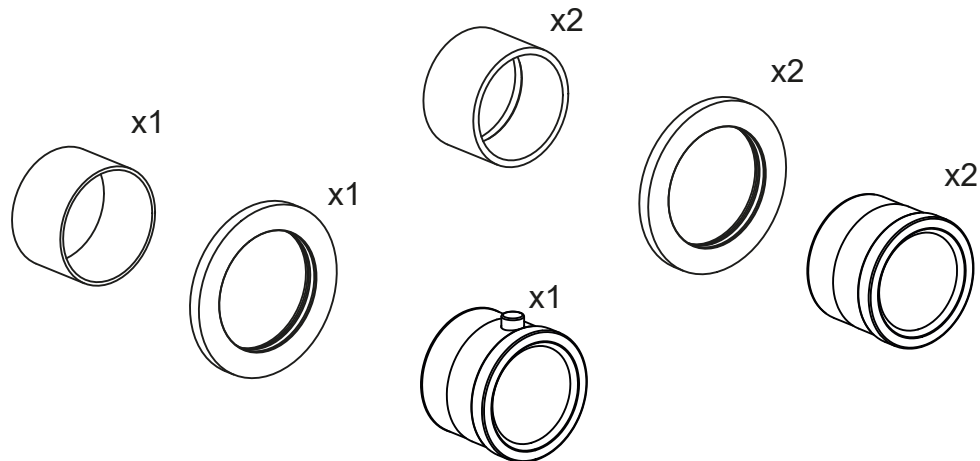


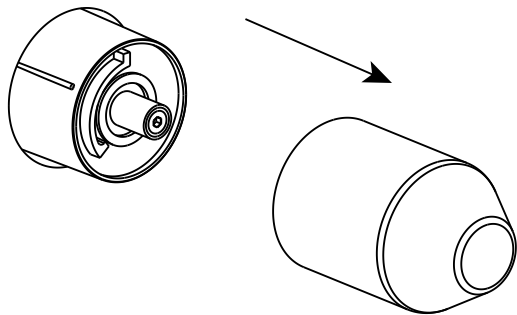
**SUPER
INOX** 



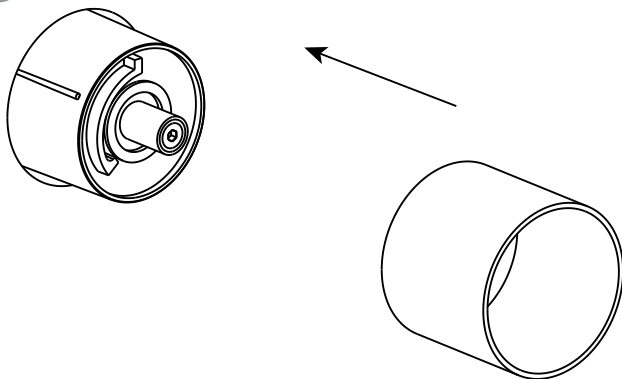
 0285408X



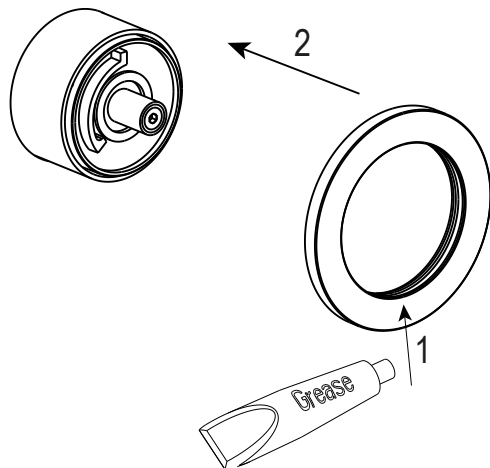
1



2

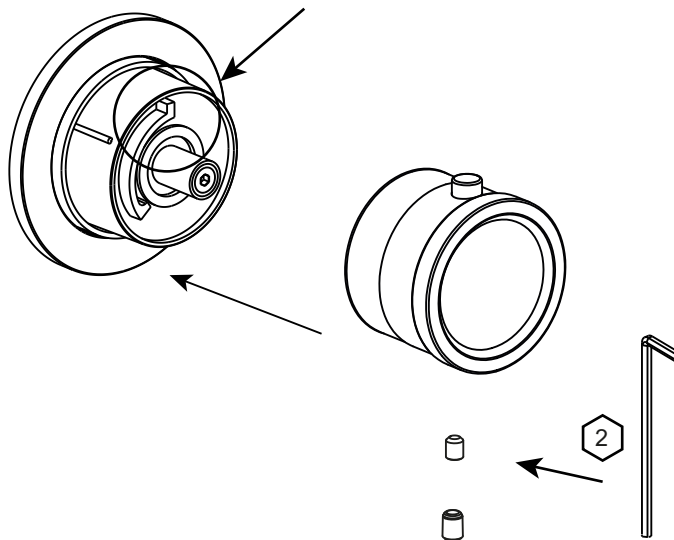


3

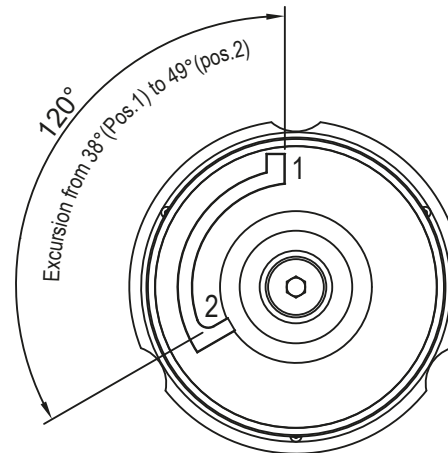


4

- 38° stop limiter
- install the handle in this way

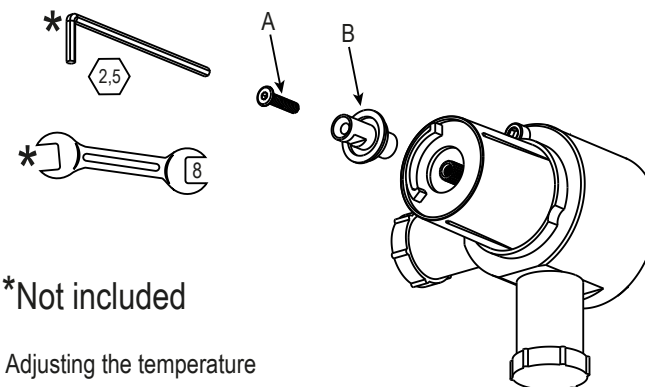


Functioning of temperature safety block



The safety block for temperature is made by the plastic part and a screw fixed on the button of handle.
When the handle turns left this plastic part makes a stop on the 38°C (pos.1); to go over this safety point push the button of handle and turn left, the last stop is after a 120° rotation of the handle with a temperature of 49°C (pos.2) and a pressure of 3bar.

The producer set and guarantee the thermostatic valve at 38°C (see position on the drawing). Maximum temperature at 3bar 49°C.



*Not included

Adjusting the temperature

- 1- remove the screw(A)
- 2- rotate the brass milled part (B) with a key of 8mm.
- 3- rotate in anticlockwise for hot water and in clockwise for cold water.
- 4- remove and replace the part (B) with flat surface down position.
- 5- fix with the screw (A)