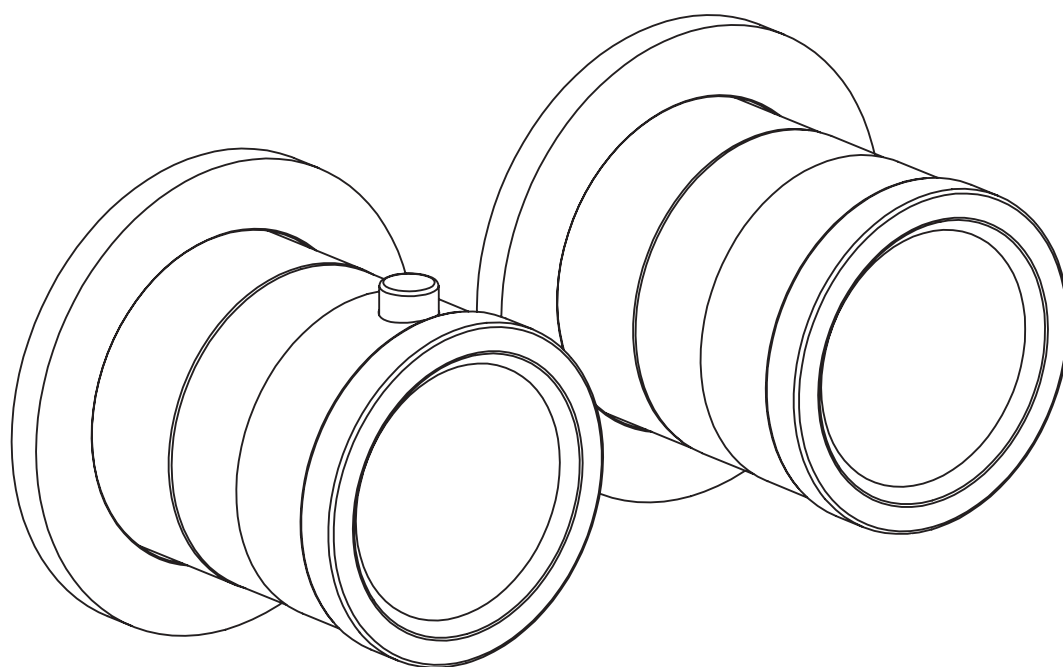


RÉTRO
0285406X

SUPER[®]
INOX 

*Built-in part **0274004X** mandatory



0285406X

EXTERNAL PART 2 - WAY BUILT - IN THERMOSTATIC MIXER, ROTATING DIVERTER W/ STOP

