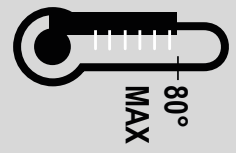
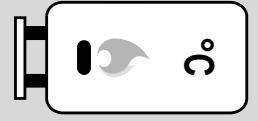
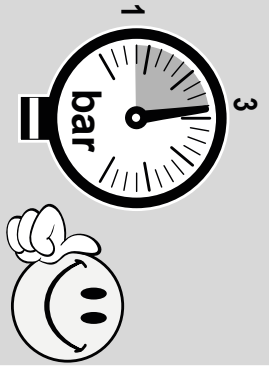
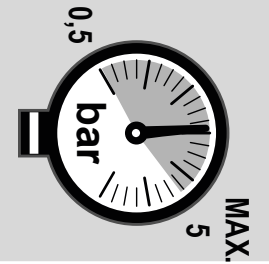
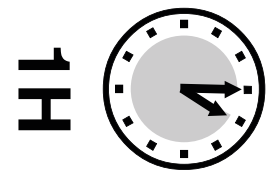
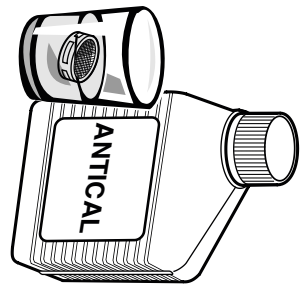
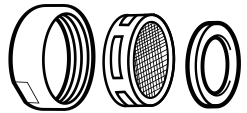
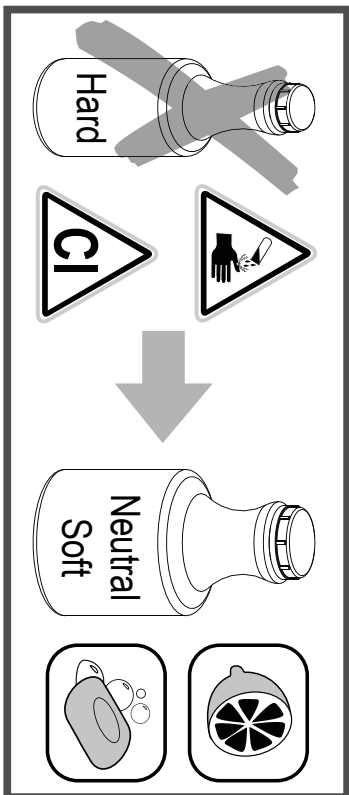
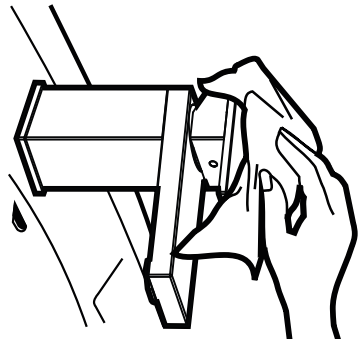
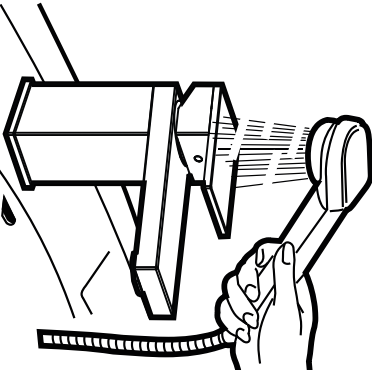
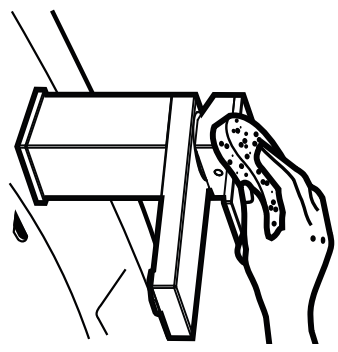
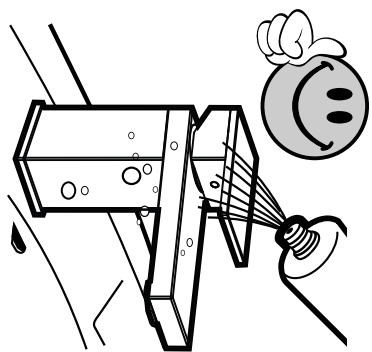
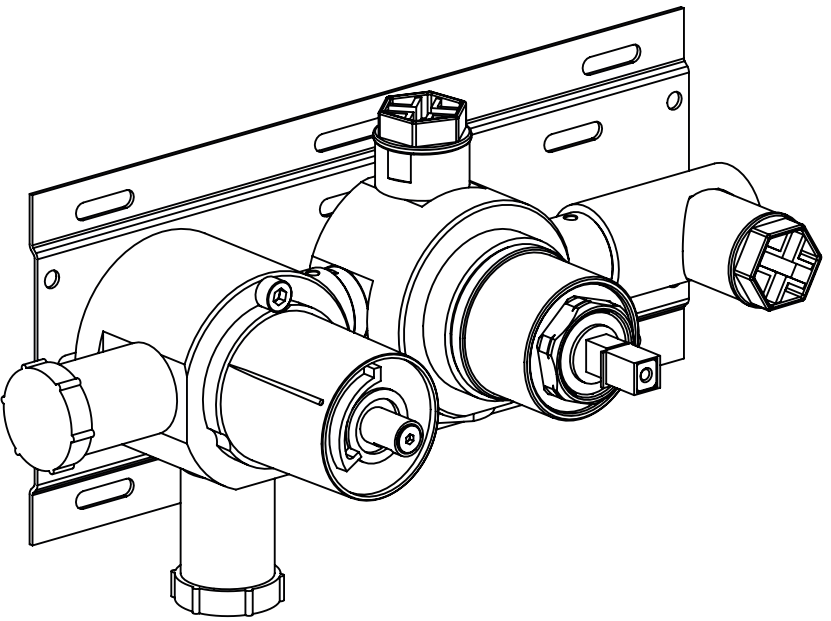
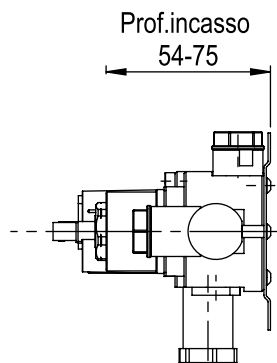
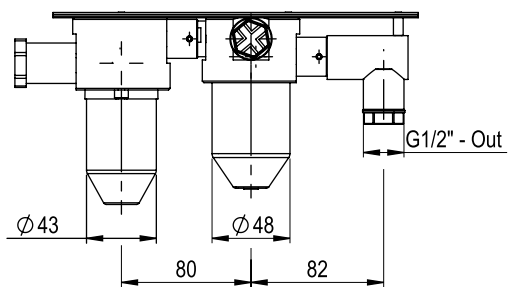
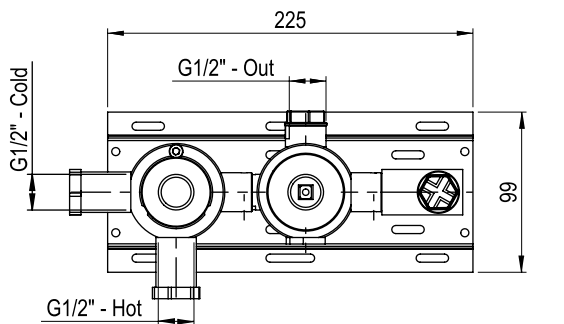


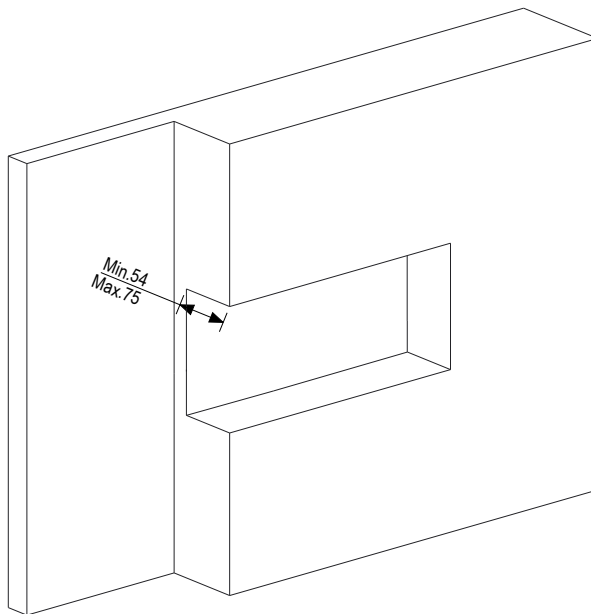
SUPER[®]
INOX 



0274003X

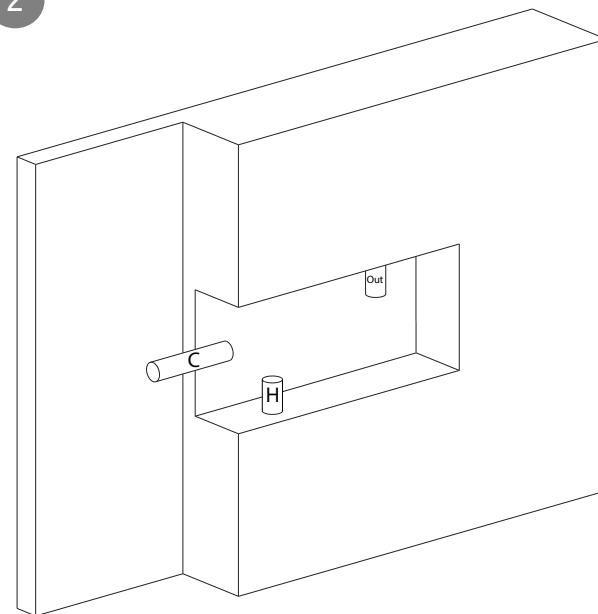


1

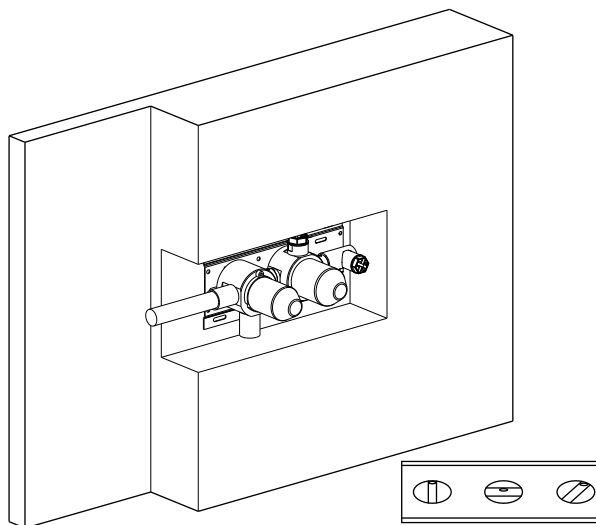


Depth Min.54 Max.75 with wall cladding

2



3



3.1



After the operation 3, Test the plant!

If the test is Ok, go with the point 4!

4

