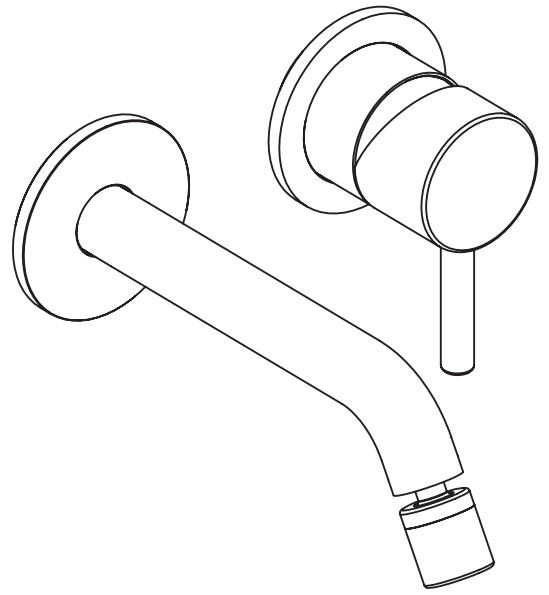
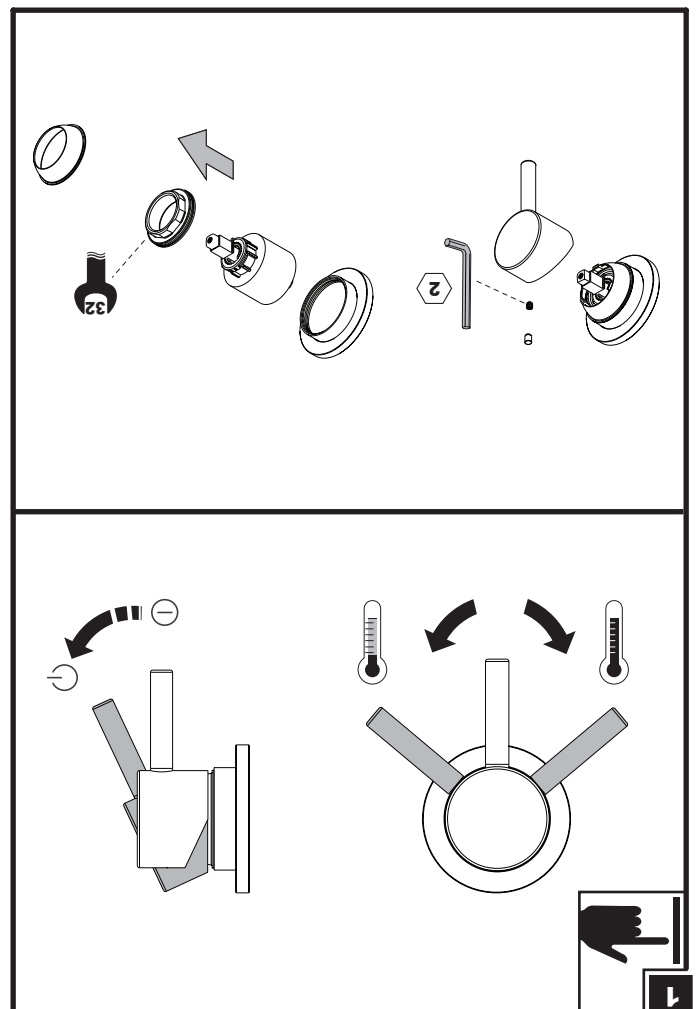
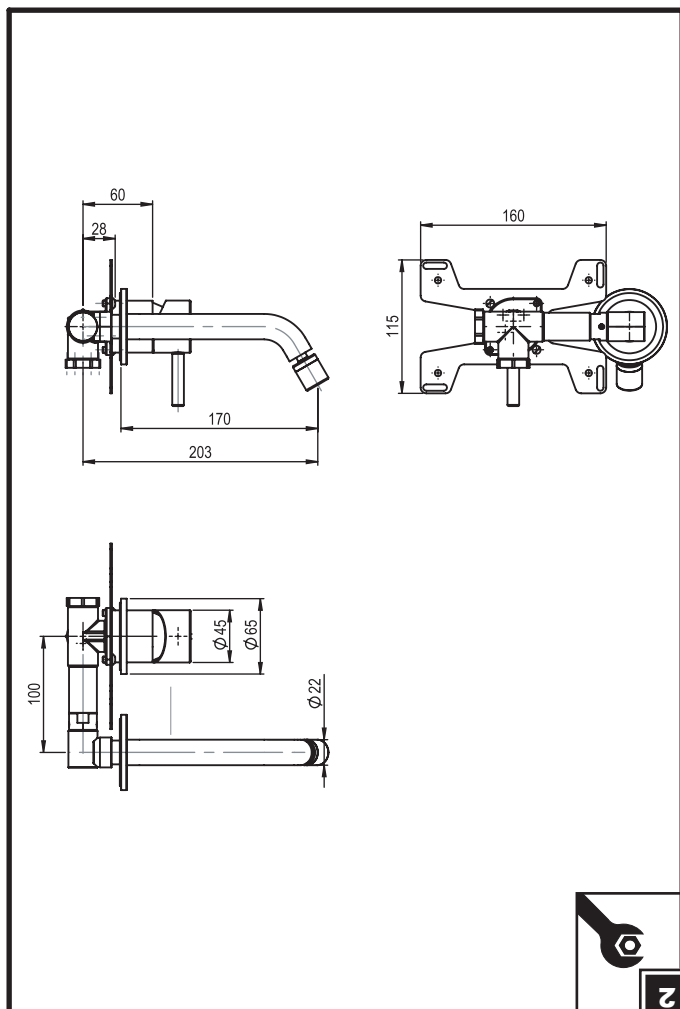
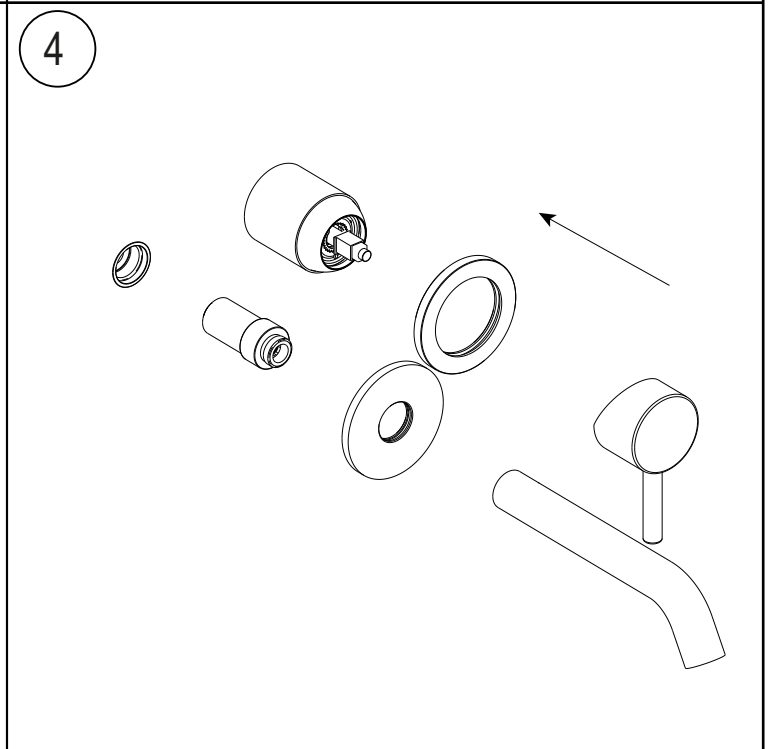
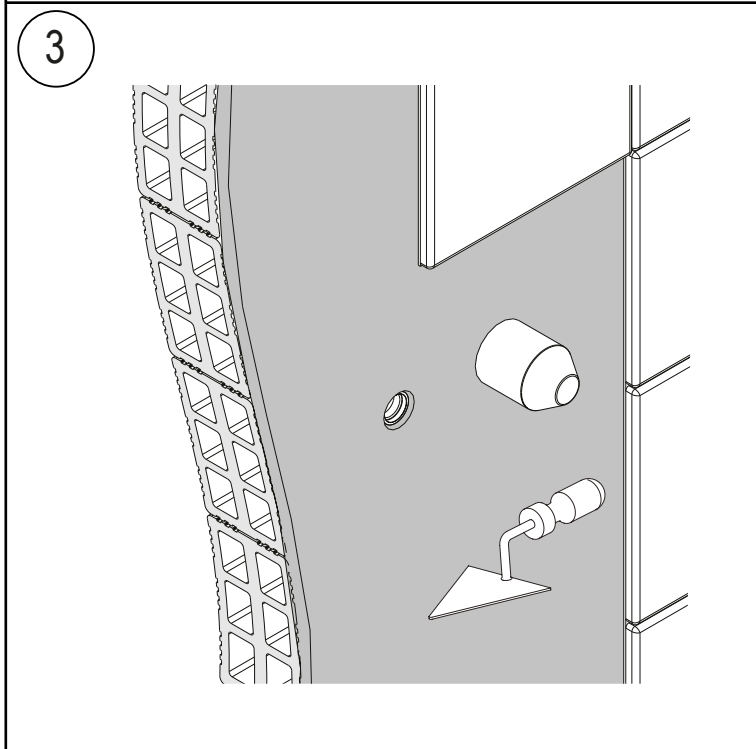
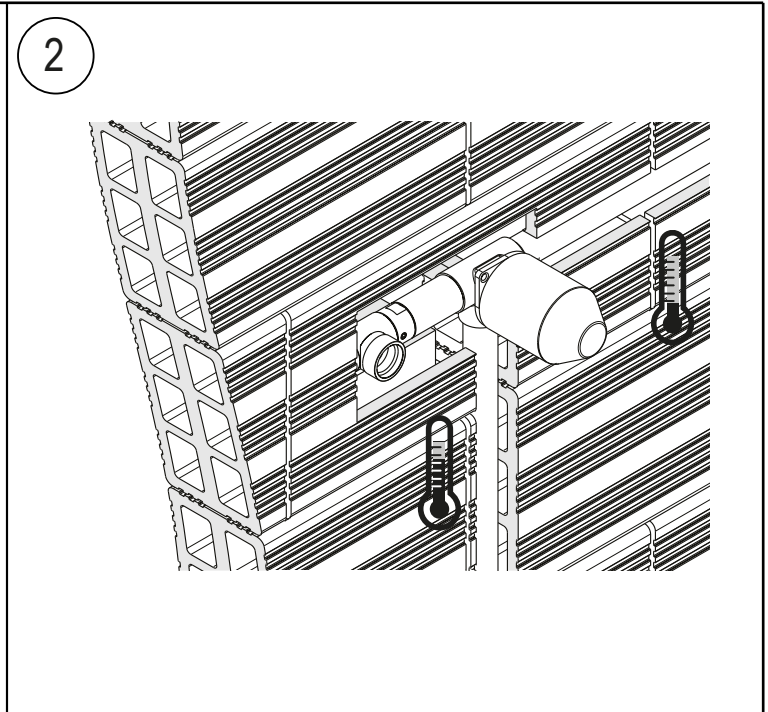
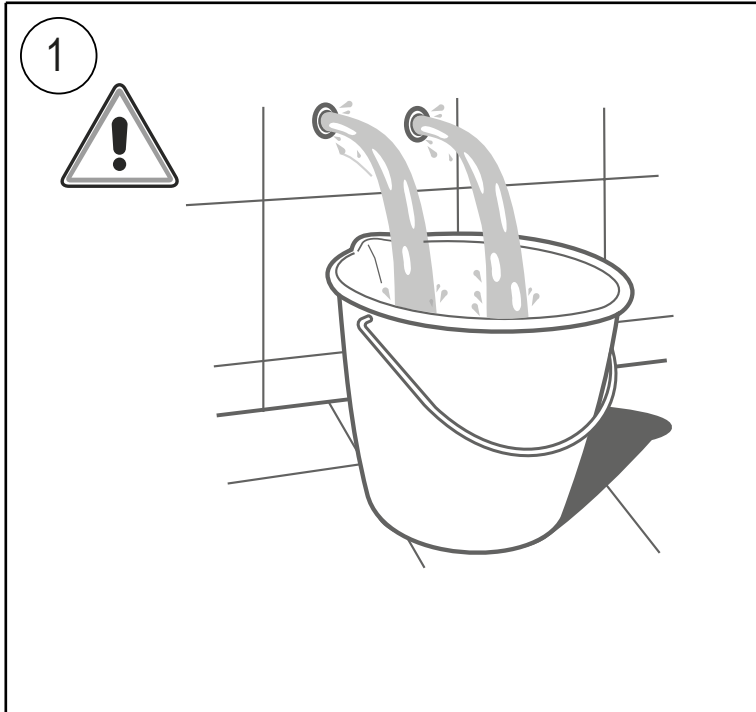


**SUPER[®]
INOX**



Made in Italy





	P	P bar	0.5		1		
	T	°C	-80° MAX				
	Q	l/min.	12				