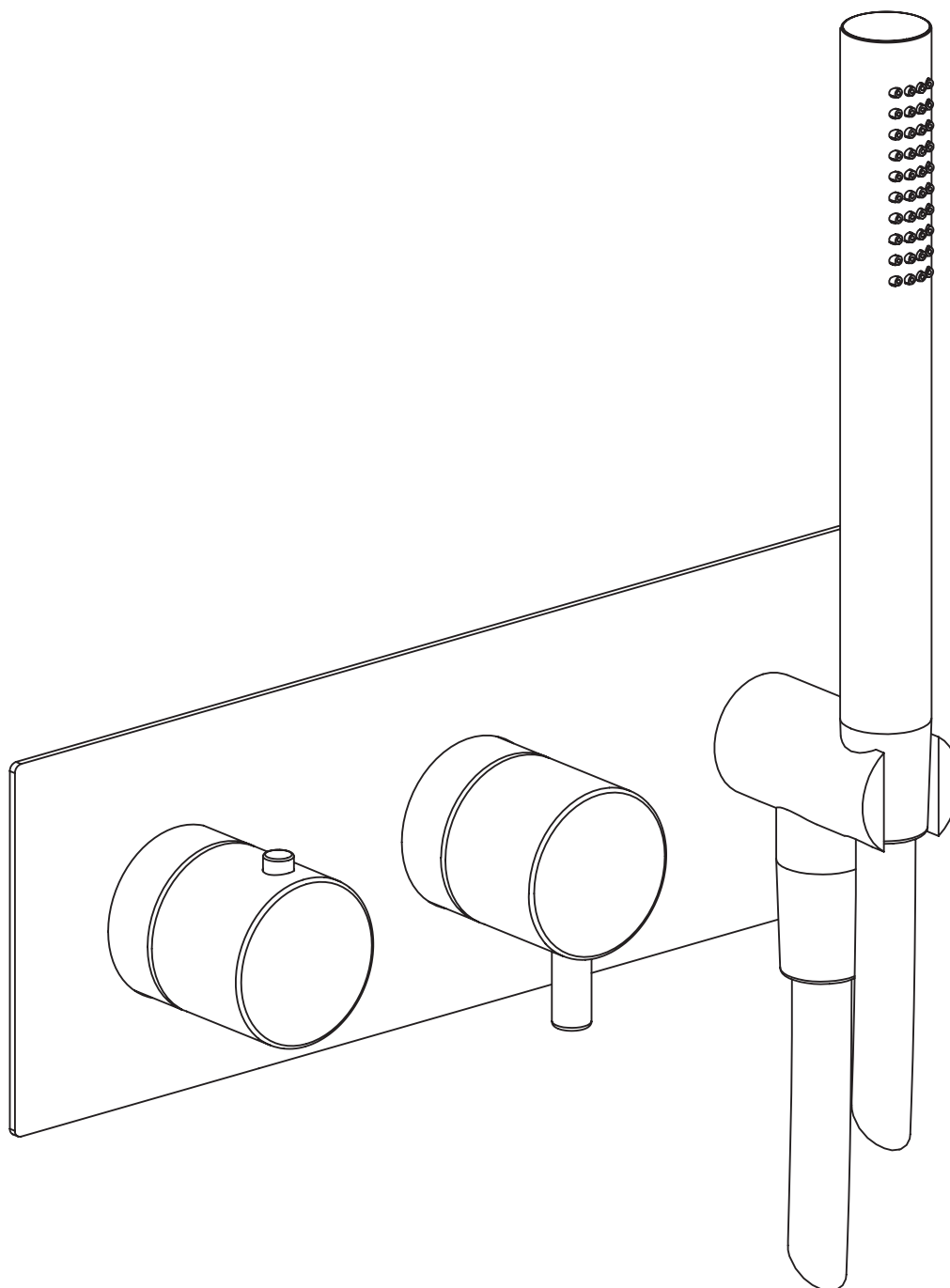


*Built-in part **0274003X** mandatory



0035411X

EXTERNAL PART 2 - WAY BUILT - IN THERMOSTATIC MIXER, ROTATING DIVERTER
W/ STOP, SHOWER SET WITH WATER CONNECTION

