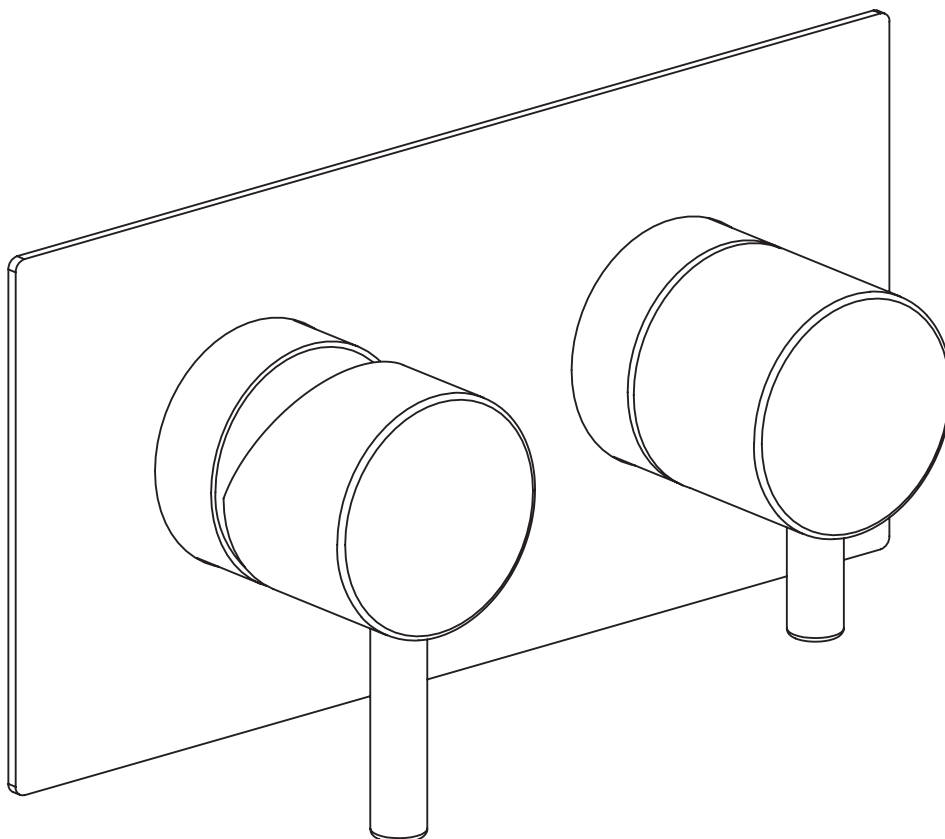


\*Built-in part **0274014X** mandatory



# 0035410X

**EXTERNAL PART** 2 - WAY BUILT - IN MIXER WITH ROTATING DIVERTER

