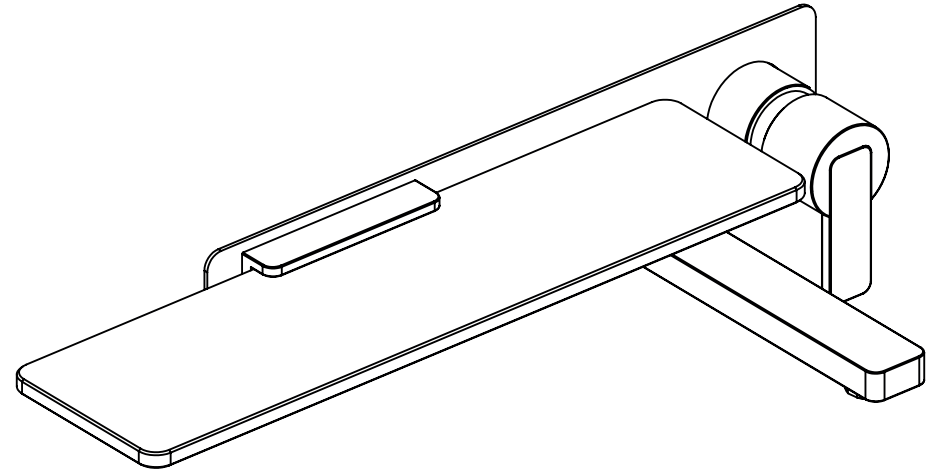


SUPER INOX®



Made in Italy

0,5 bar MAX. 5

1 bar 3

°C

80° MAX

65 45

Hard

Cl

Neutral Soft

ANTICAL

1H

