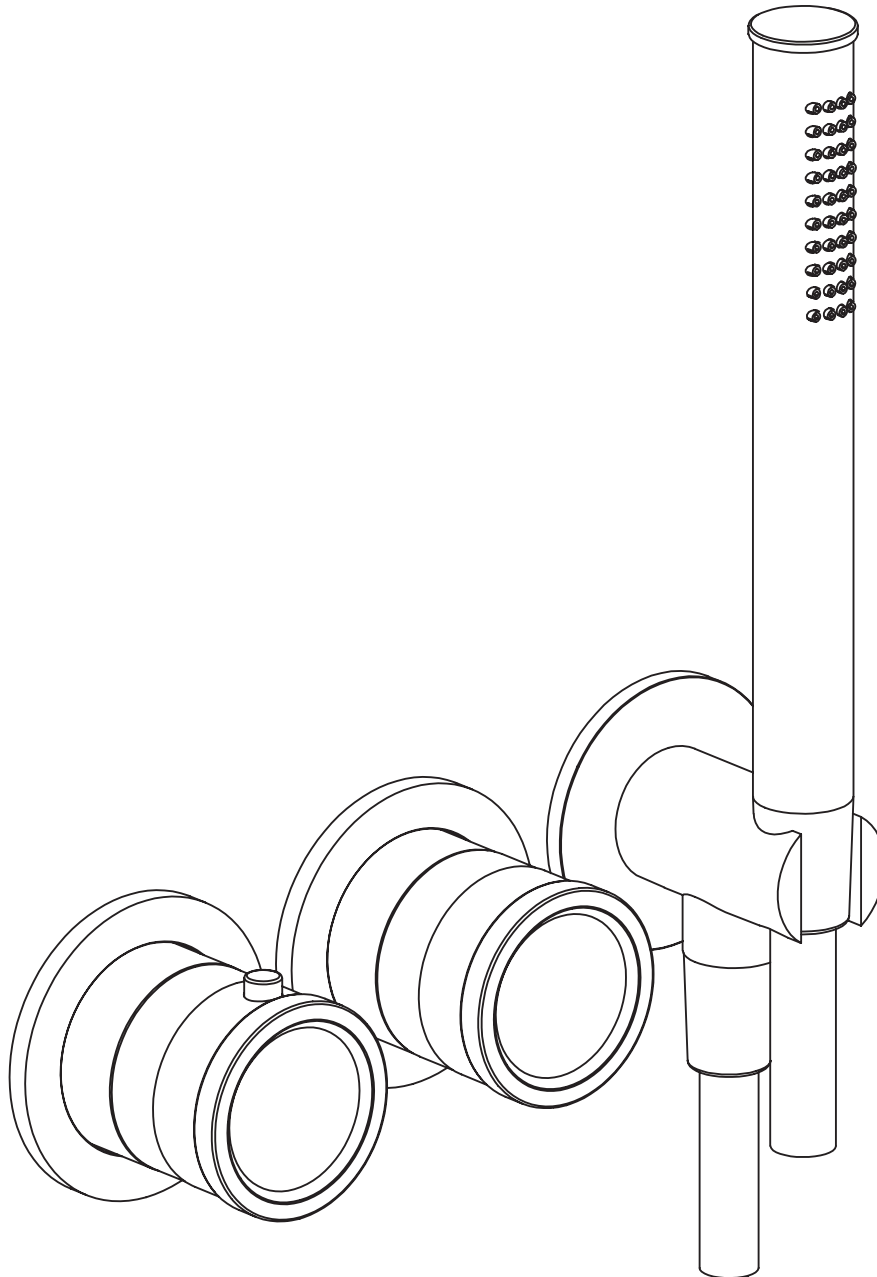


RÉTRO  
**0285411X**

**SUPER**<sup>®</sup>  
**INOX** 

\*Built-in part **0274003X** mandatory



**0285411X**

**EXTERNAL PART** 2 - WAY BUILT - IN THERMOSTATIC MIXER, ROTATING DIVERTER  
W/ STOP, SHOWER SET WITH WATER CONNECTION

