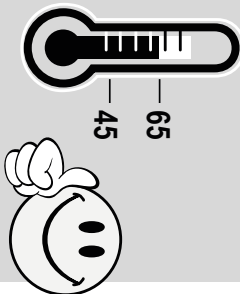
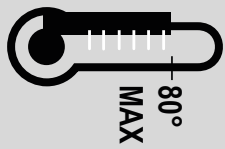
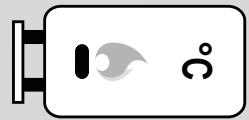
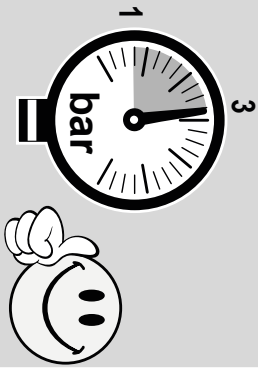
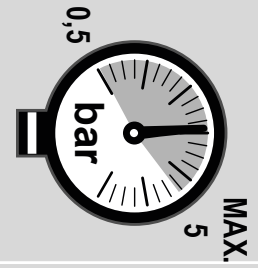
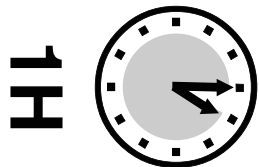
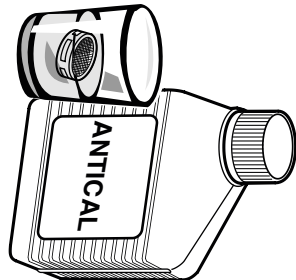
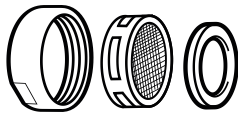
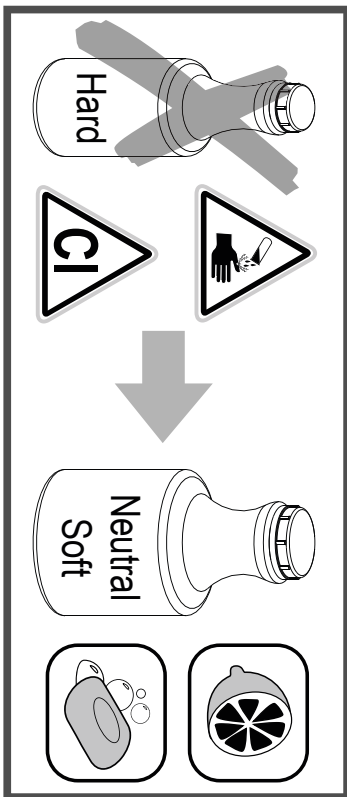
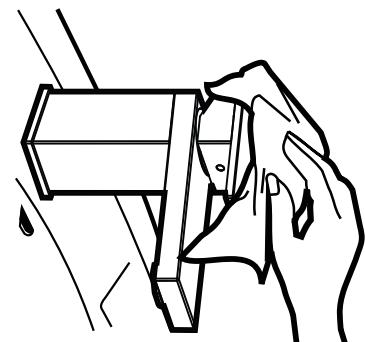
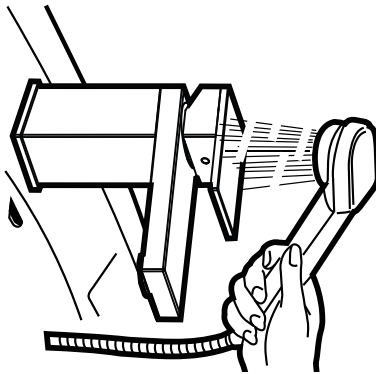
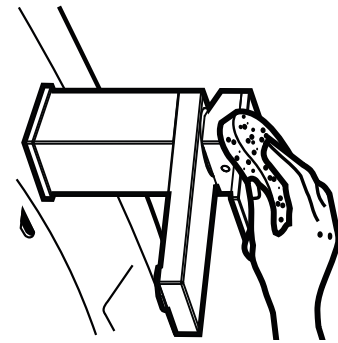
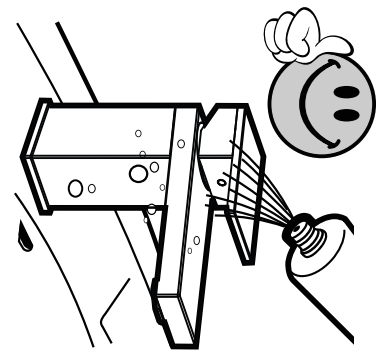
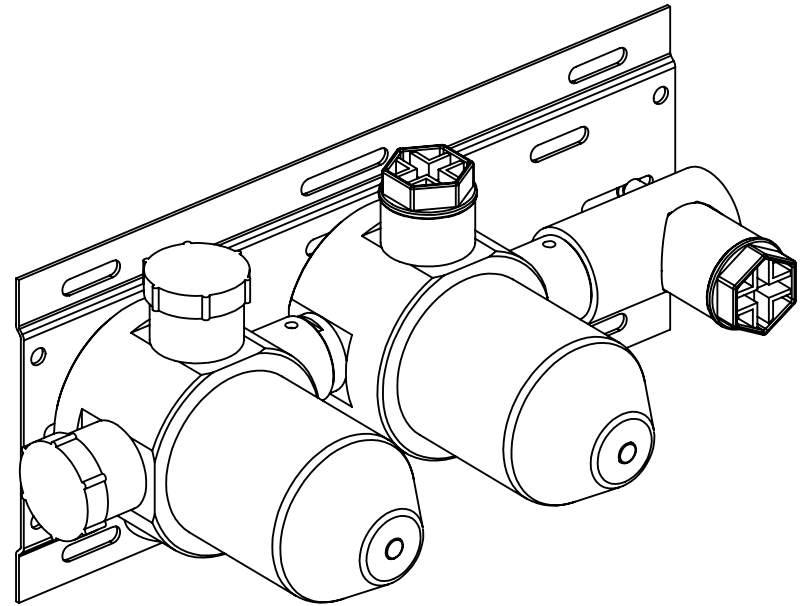


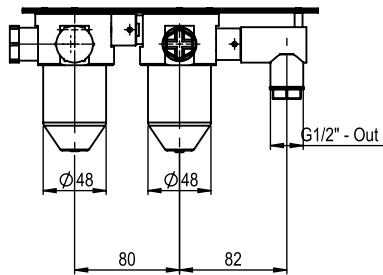
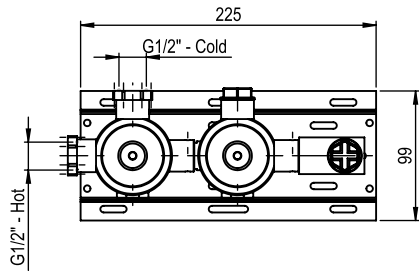
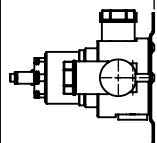
SUPER[®] INOX



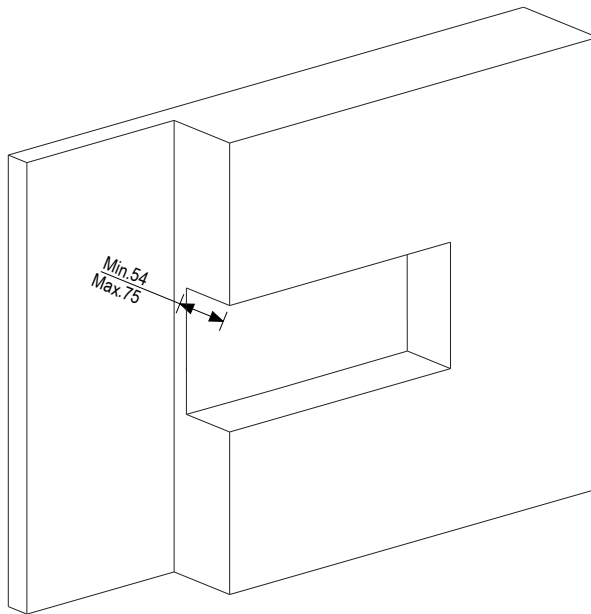
Made in Italy

0274015X

Prof. incasso
54-75

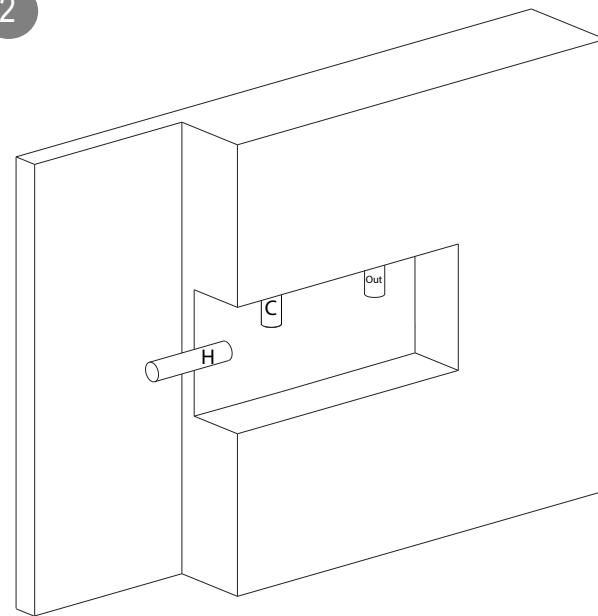


1

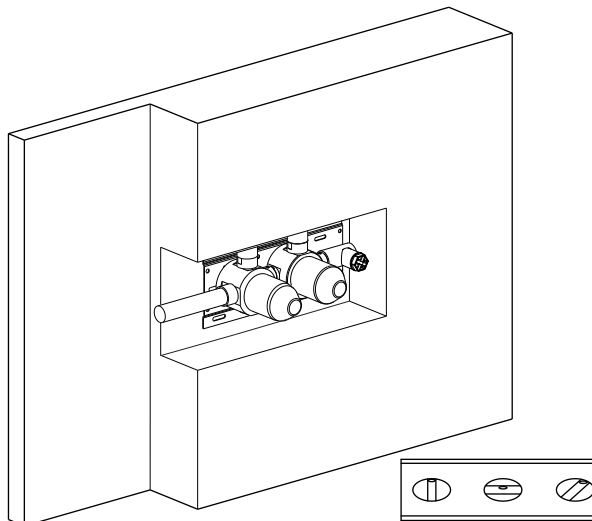


Depth Min. 54 Max. 75 with wall cladding

2



3



3.1



After the operation 3, Test the plant!

If the test is Ok, go with the point 4!

4

