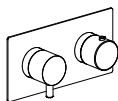


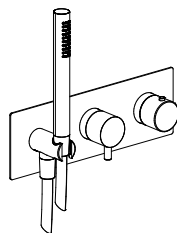
SUPER[®] INOX



Art. 003 6935X



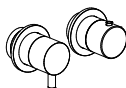
Art. 003 6406X



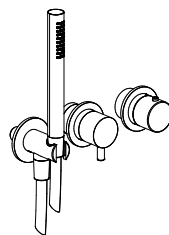
Art. 003 6411X



Art. 025 6935X



Art. 025 6406X



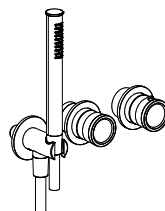
Art. 025 6411X



Art. 028 6935X



Art. 028 6406X



Art. 028 6411X

www.superinox.it



DATI TECNICI

TECHNICAL DETAILS - DONNÉES TECHNIQUES - TECHNISCHE DATEN - DATOS TÉCNICOS

IT

Pressione minima	1 BAR
Pressione massima	10 BAR
Press. di esercizio consigliata	2-5 BAR
Temperatura massima	80° C - 176° F
Temperatura massima consigliata	65° C - 149° F
Differenza max di pressione in arrivo (calda - fredda)	1.5 BAR

Se la pressione è superiore ai 5 bar utilizzare un riduttore di pressione

DE

Minimum druck	1 BAR
Höchste druck	10 BAR
Empfehlener druck	2-5 BAR
Höchste wasser Temperatur	80° C - 176° F
Wassertemperatur Höchste einkommende	65° C - 149° F
Höchste einkommende Drucksunterschied (Warm - kalt)	1.5 BAR

If the pressure is higher than 5 bar, use a pressure reducer

EN

Minimum pressure	1 BAR
Minimum pressure	10 BAR
Recommened working pressure	2-5 BAR
Max. water temperature	80° C - 176° F
Maximum water temperature reccomended	65° C - 149° F
Maximum in-let pressure difference (hot - cold)	1.5 BAR

Si la pression est supérieure à 5 bars, utilisez un réducteur de pression

ES

Pression mínima	1 BAR
Pression máxima	10 BAR
Pression de trab. aconsejada	2-5 BAR
Temperatura máxima	80° C - 176° F
Temperatura máxima aconsejada	65° C - 149° F
Diferencial max. de presión deentrada (caliente - fria)	1.5 BAR

Wenn der Druck höher als 5 bar ist, verwenden Sie einen Druckminderer

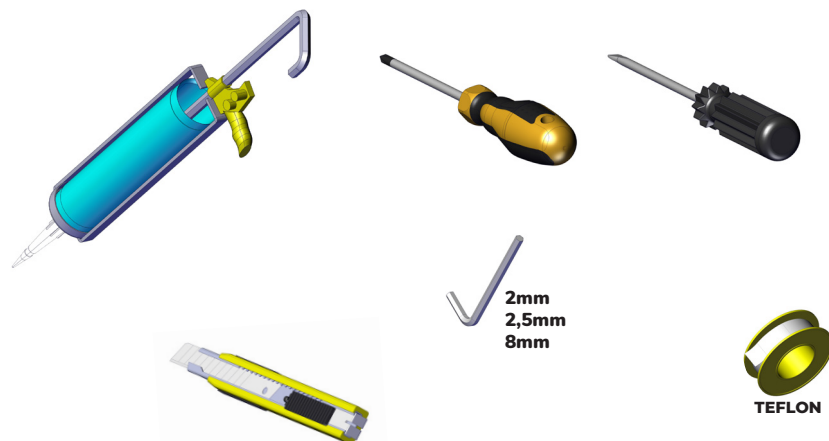
FR

Pression minimum	1 BAR
Pression maximum	10 BAR
Pression optimale de service	2-5 BAR
Température maximum	80° C - 176° F
Température maximum optimale	65° C - 149° F
Différence max. de pression d'arrivée (chaud - froid)	1.5 BAR

Si la presión es superior a 5 bar, utilice un reductor de presión

UTENSILI NECESSARI

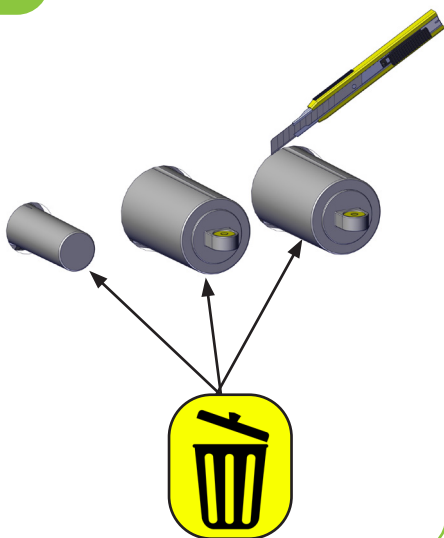
NECESSARY TOOLS - OUTILS NÉCESSAIRES - ERFORDERLICHE WERKZEUGE
HERRAMIENTAS NECESARIAS



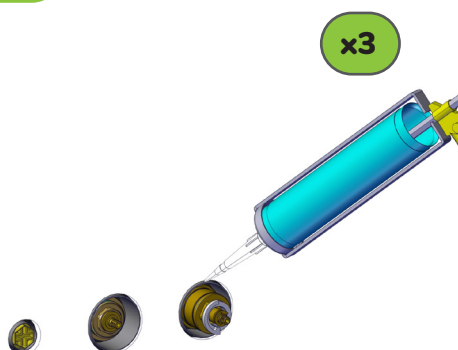
INSTALLAZIONE

INSTALLATION - INSTALLATION - INSTALLATION - INSTALACIÓN

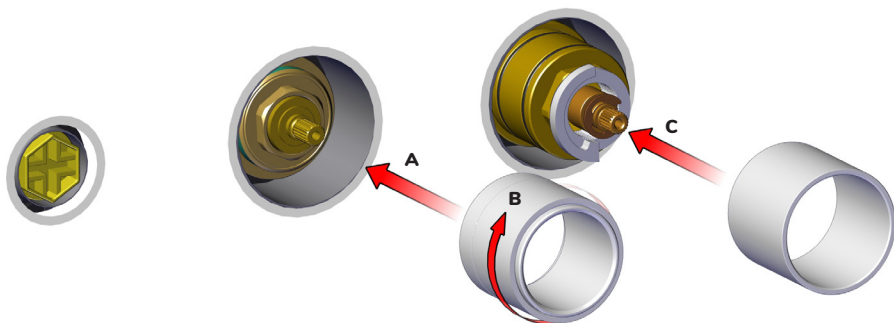
1



2



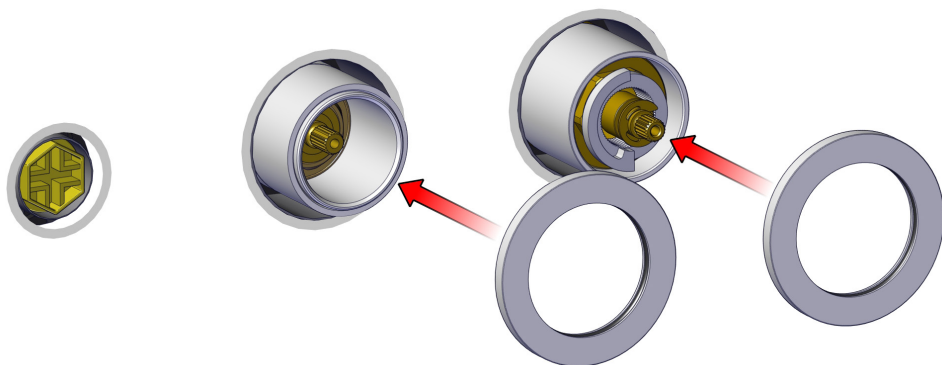
3



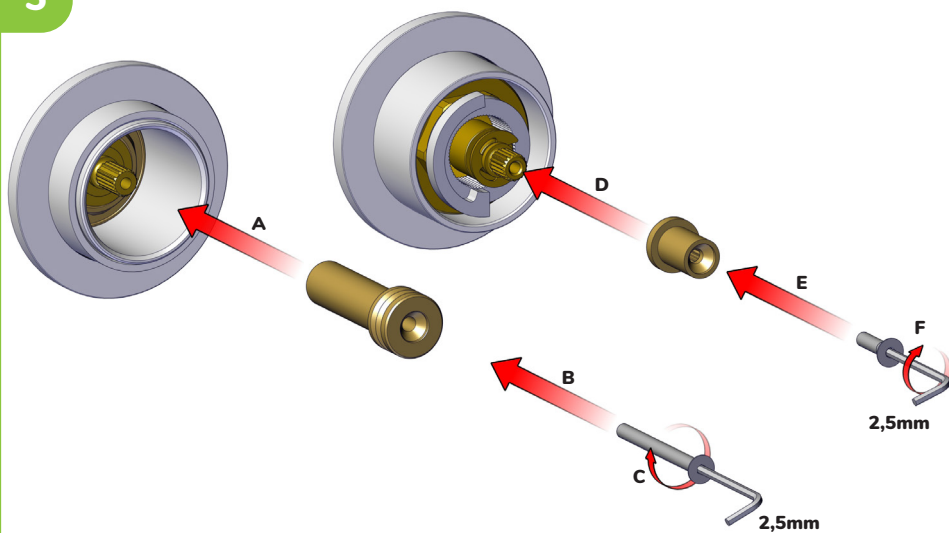
INSTALLAZIONE

INSTALLATION - INSTALLATION - INSTALLATION - INSTALACIÓN

4



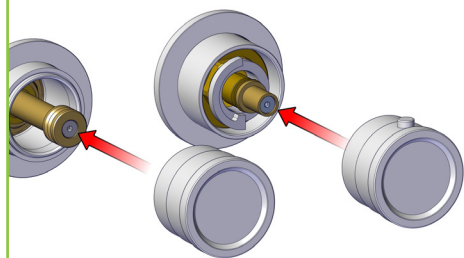
5



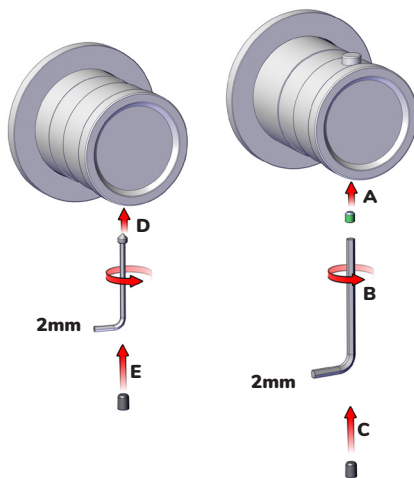
INSTALLAZIONE

INSTALLATION - INSTALLATION - INSTALLATION - INSTALACIÓN

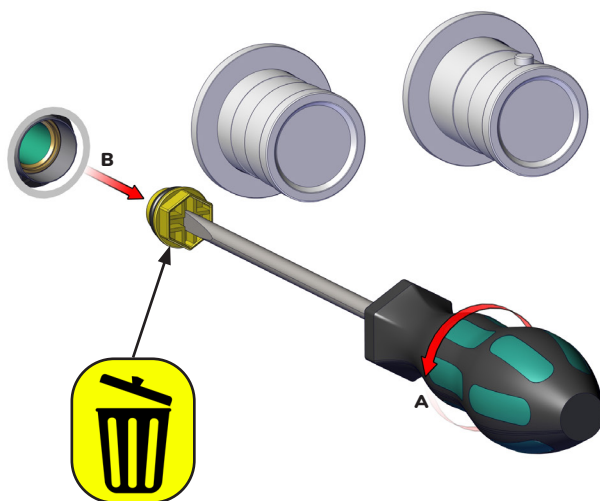
6



7



8

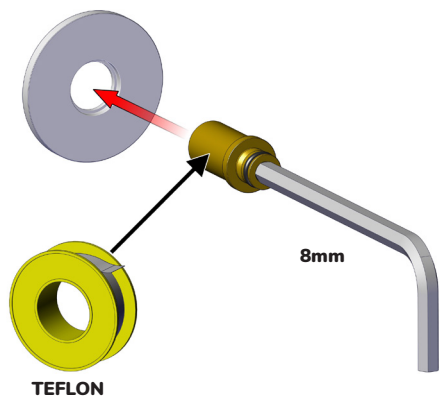


5

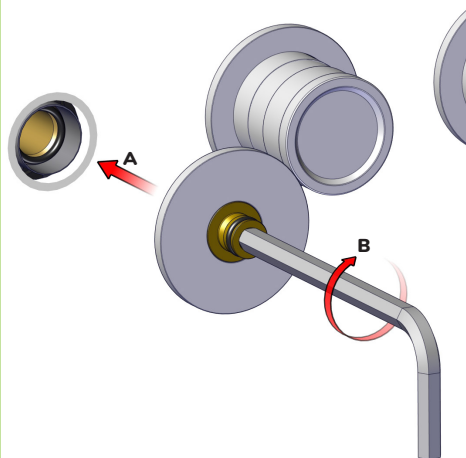
INSTALLAZIONE

INSTALLATION - INSTALLATION - INSTALLATION - INSTALACIÓN

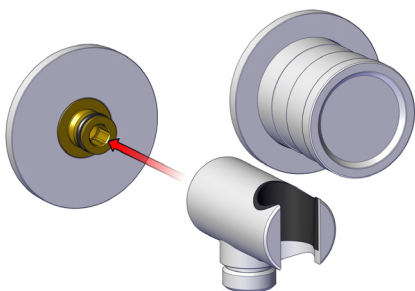
9



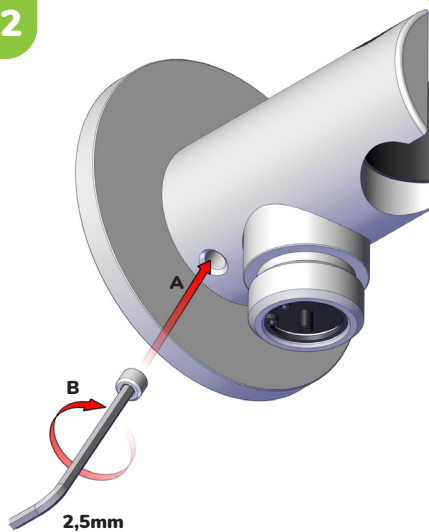
10



11

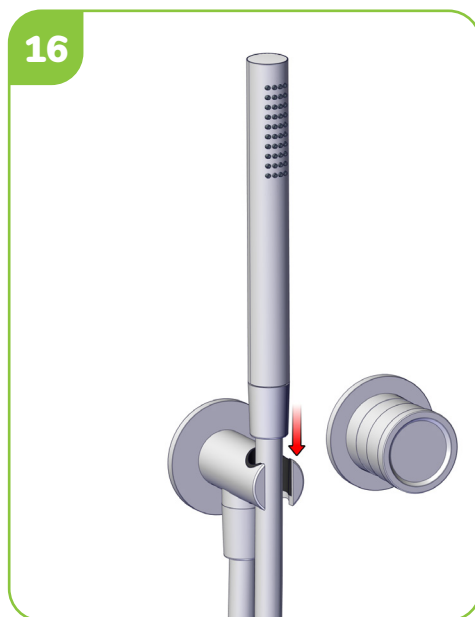
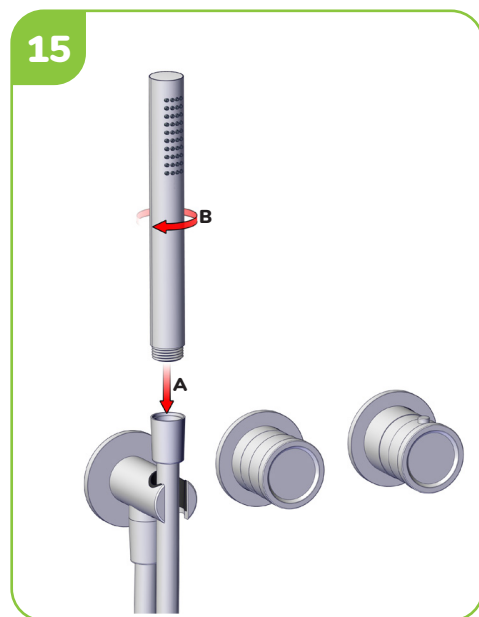
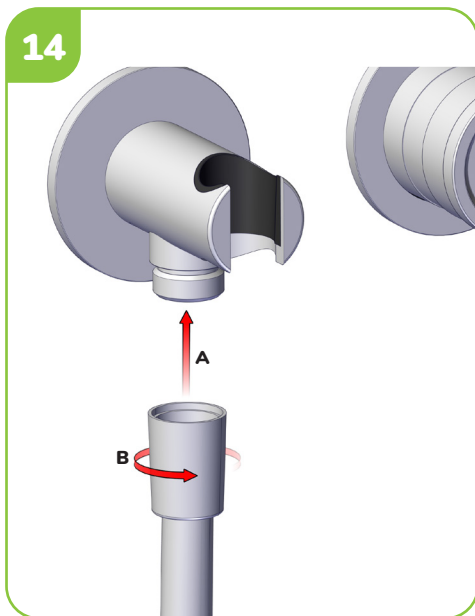
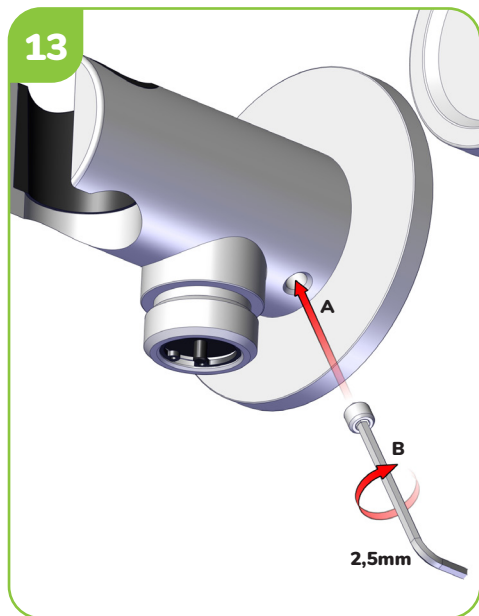


12



INSTALLAZIONE

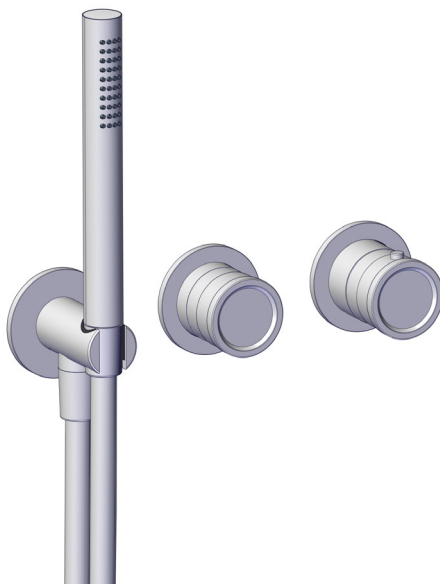
INSTALLATION - INSTALLATION - INSTALLATION - INSTALACIÓN



INSTALLAZIONE

INSTALLATION - INSTALLATION - INSTALLATION - INSTALACIÓN

17



PULIZIA

CLEANING - NETTOYAGE - REINIGUNG - LIMPIEZA



Detergente neutro
Neutral detergent



Acqua
Water



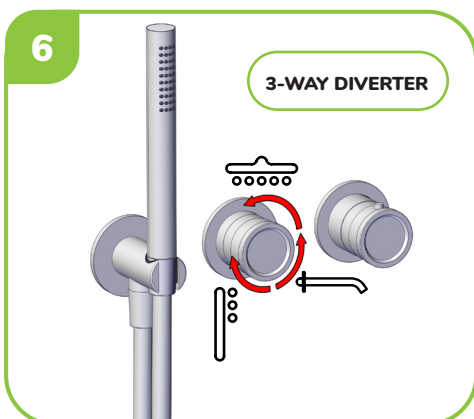
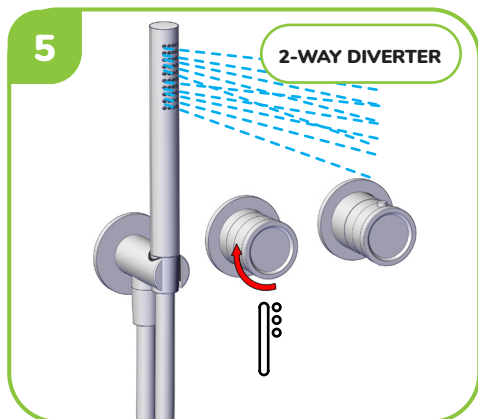
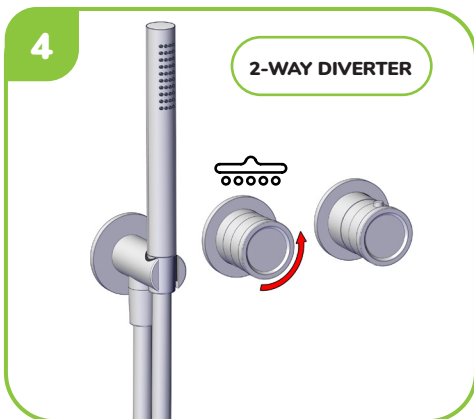
Panno morbido
Soft cloth



Detergenti corrosivi
Corrosive detergents



Spugne abrasive
Scouring pads



SUPER[®]
INOX 

SUPER INOX s.r.l.
Via dell' Industria, 19 C/D
28924 Verbania (VB) – Italia