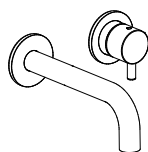


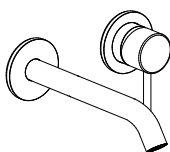
SUPER[®] INOX



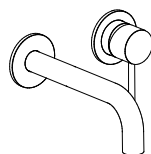
Art. 033 6016X
Art. 033 6131X
Art. 033 6197X



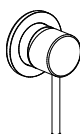
Art. 033 6040X



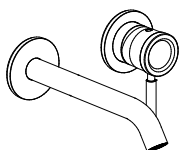
Art. 034 6016X
Art. 034 6131X
Art. 034 6197X



Art. 034 6716X
Art. 034 6731X
Art. 034 6797X



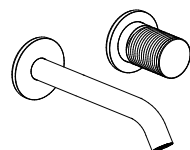
Art. 034 6040X
Art. 039 6043X



Art. 038 6016X
Art. 038 6131X
Art. 038 6197X



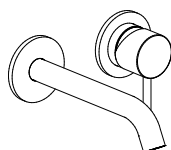
Art. 038 6040X



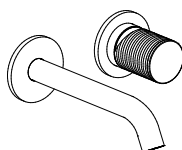
Art. 057 6016X
Art. 057 6131X
Art. 057 6197X



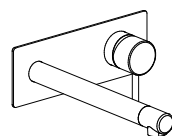
Art. 057 6040X
Art. 043 6043X



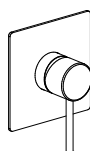
Art. 039 6131X
Art. 039 6197X



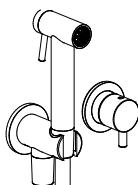
Art. 043 6131X
Art. 043 6197X



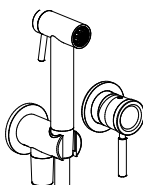
Art. 045 6144X
Art. 045 6218X



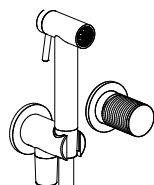
Art. 045 6040X



Art. 003 6066X



Art. 038 6066X



Art. 057 6066X

www.superinox.it



DATI TECNICI

TECHINCAL DETAILS - DONNÉES TECHNIQUES - TECHNISCHE DATEN - DATOS TÉCNICOS

IT

Pressione minima	1 BAR
Pressione massima	10 BAR
Press. di esercizio consigliata	2-5 BAR
Temperatura massima	80° C - 176° F
Temperatura massima consigliata	65° C - 149° F
Differenza max di pressione in arrivo (calda - fredda)	1.5 BAR

Se la pressione è superiore ai 5 bar utilizzare un riduttore di pressione

DE

Minimum druck	1 BAR
Höchste druck	10 BAR
Empfehlener druck	2-5 BAR
Höchste wasser Temperatur	80° C - 176° F
Wassertemperatur Höchste einkommende	65° C - 149° F
Höchste einkommende Drucksunterschied (Warm - kalt)	1.5 BAR

If the pressure is higher than 5 bar, use a pressure reducer

EN

Minimum pressure	1 BAR
Minimum pressure	10 BAR
Recommened working pressure	2-5 BAR
Max. water temperature	80° C - 176° F
Maximum water temperature reccomended	65° C - 149° F
Maximum in-let pressure difference (hot - cold)	1.5 BAR

Si la pression est supérieure à 5 bars, utilisez un réducteur de pression

ES

Pression mínima	1 BAR
Pression máxima	10 BAR
Pression de trab. aconsejada	2-5 BAR
Temperatura máxima	80° C - 176° F
Temperatura máxima aconsejada	65° C - 149° F
Diferencial max. de presión deentrada (caliente - fria)	1.5 BAR

Wenn der Druck höher als 5 bar ist, verwenden Sie einen Druckminderer

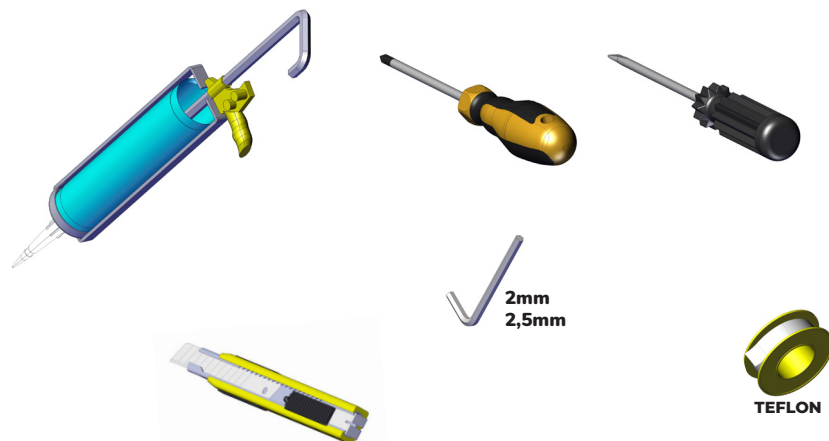
FR

Pression minimum	1 BAR
Pression maximum	10 BAR
Pression optimale de service	2-5 BAR
Température maximum	80° C - 176° F
Température maximum optimale	65° C - 149° F
Différence max. de pression d'arrivée (chaud - froid)	1.5 BAR

Si la presión es superior a 5 bar, utilice un reductor de presión

UTENSILI NECESSARI

NECESSARY TOOLS - OUTILS NÉCESSAIRES - ERFORDERLICHE WERKZEUGE
HERRAMIENTAS NECESARIAS



INSTALLAZIONE

INSTALLATION - INSTALLATION - INSTALLATION - INSTALACIÓN

Art. 033 6016X - 033 6131X - 033 6197X - 033 6040X

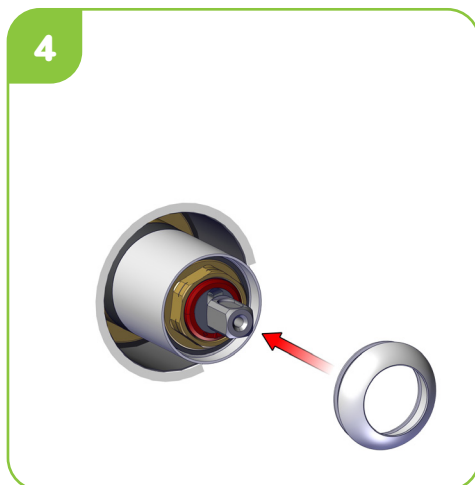
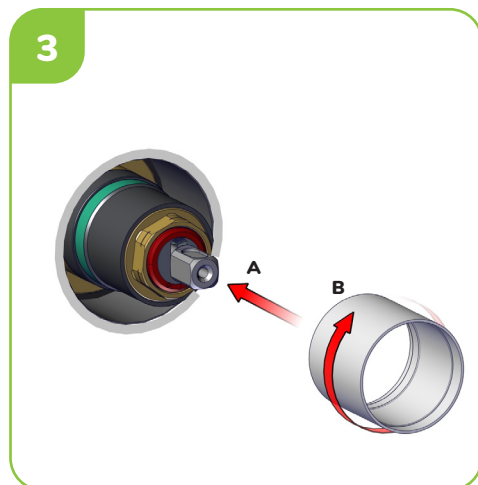
Art. 034 6016X - 034 6131X - 034 6197X - 034 6040X

Art. 034 6716X - 034 6731X - 034 6797X

Art. 038 6016X - 038 6131X - 038 6197X - 038 6040X

Art. 045 6144X - 045 6218X - 045 6040X

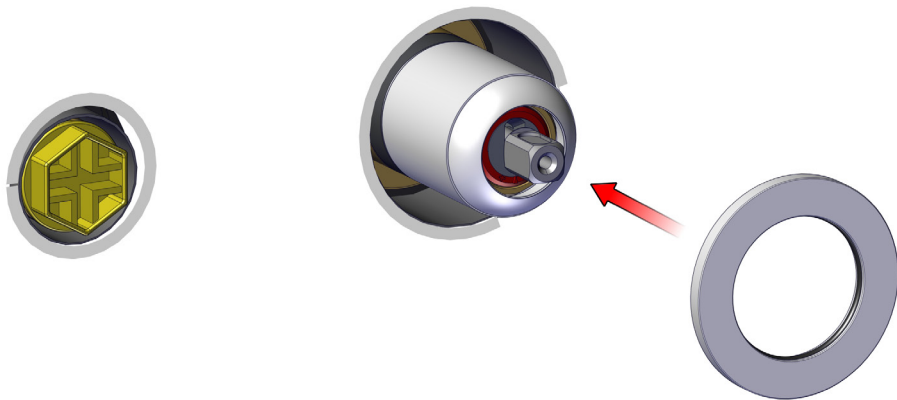
Art. 057 6016X - 0576131X - 057 6197X - 057 6040X



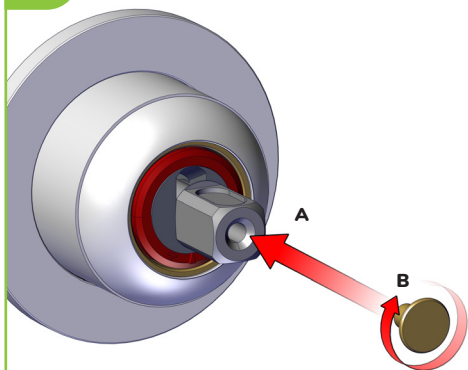
INSTALLAZIONE

INSTALLATION - INSTALLATION - INSTALLATION - INSTALACIÓN

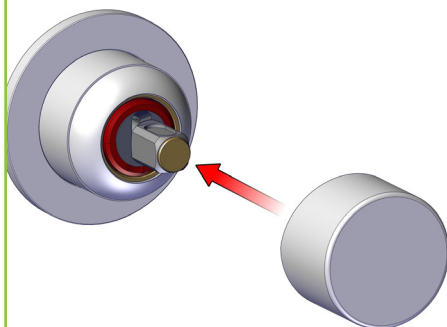
5



6



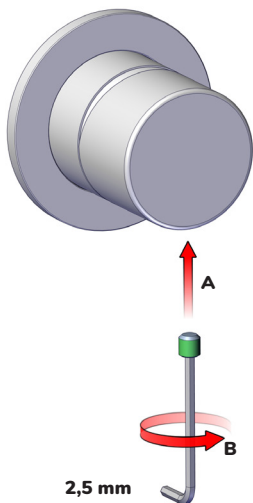
7



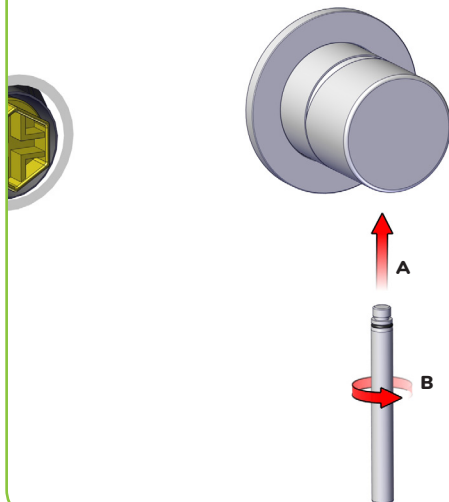
INSTALLAZIONE

INSTALLATION - INSTALLATION - INSTALLATION - INSTALACIÓN

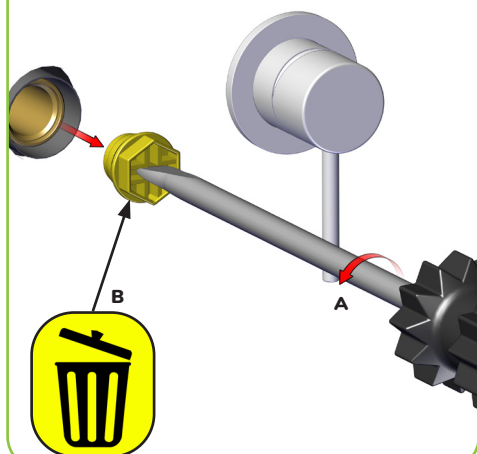
8



9



10



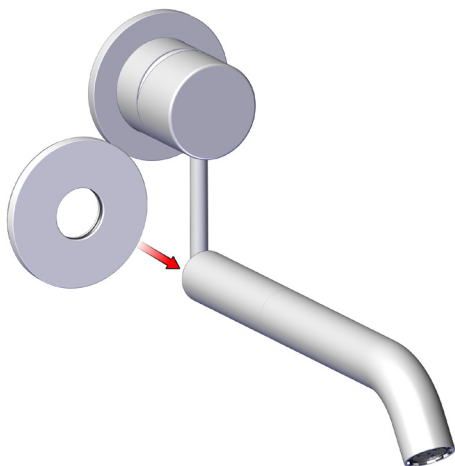
11



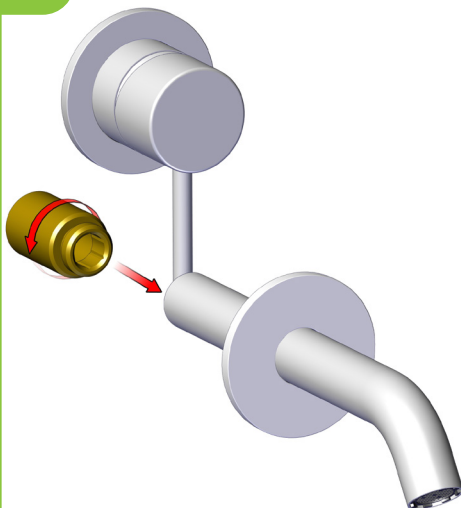
INSTALLAZIONE

INSTALLATION - INSTALLATION - INSTALLATION - INSTALACIÓN

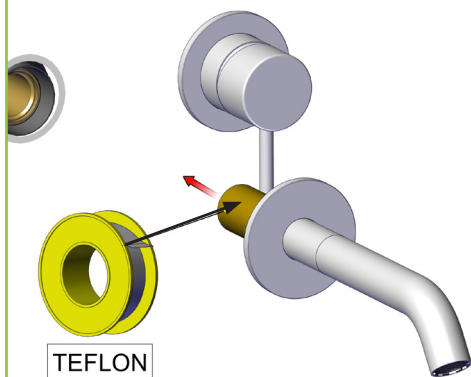
12



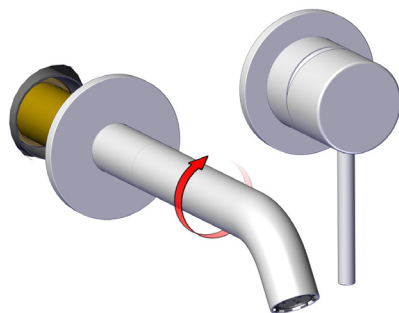
13



14



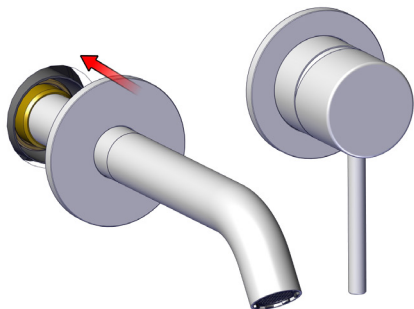
15



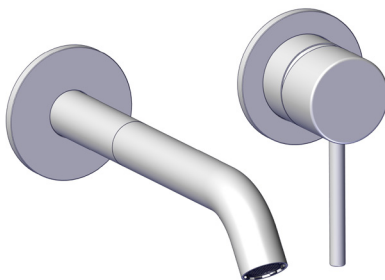
INSTALLAZIONE

INSTALLATION - INSTALLATION - INSTALLATION - INSTALCIÓN

16

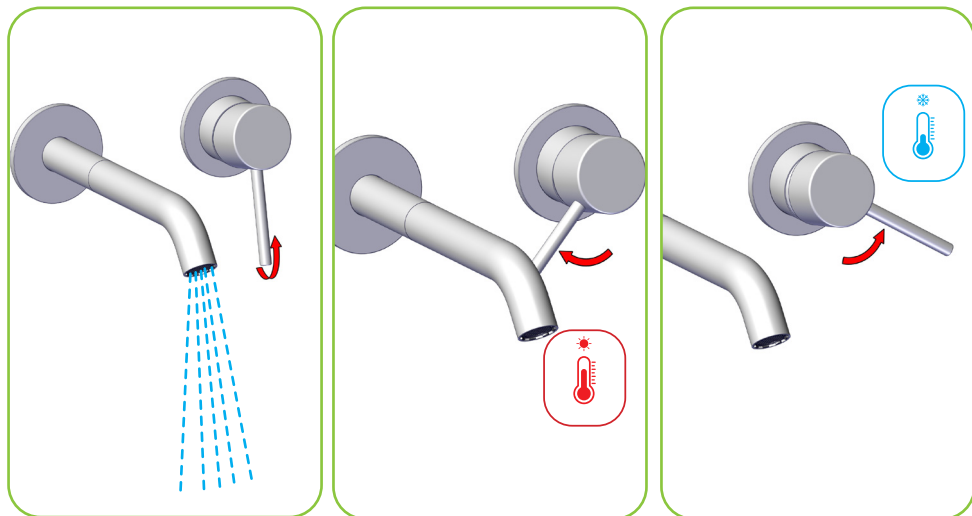


17



UTILIZZO

USO - UTILISATION - GEBRAUCH - UTILIZAÇÃO



PULIZIA

CLEANING - NETTOYAGE - REINIGUNG - LIMPIEZA



Detergente neutro
Neutral detergent



Acqua
Water



Panno morbido
Soft cloth



Detergenti corrosivi
Corrosive detergents



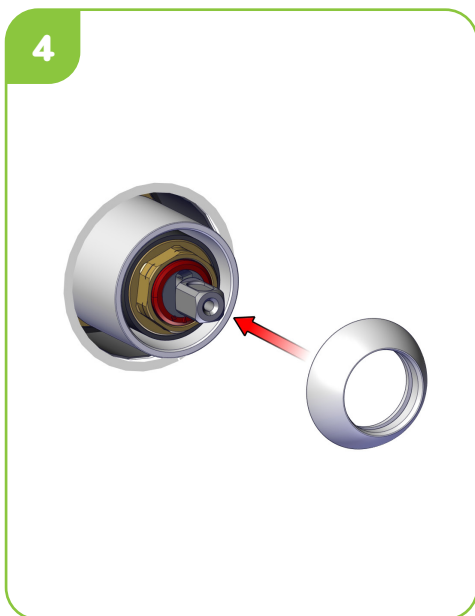
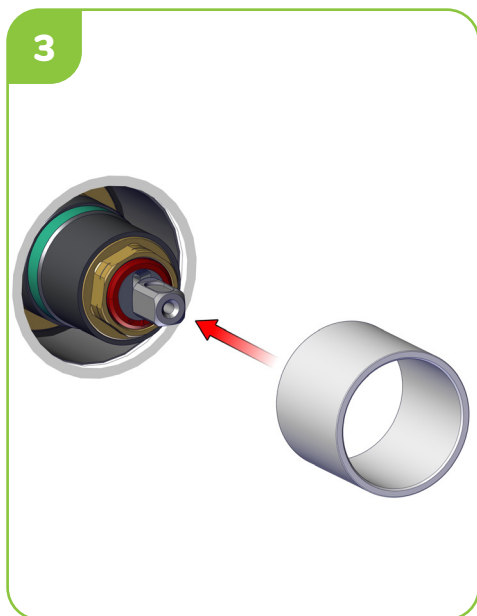
Spugne abrasive
Scouring pads

INSTALLAZIONE

INSTALLATION - INSTALLATION - INSTALLATION - INSTALACIÓN

Art. 039 6131X - 039 6197X - 043 6131X - 043 6197X

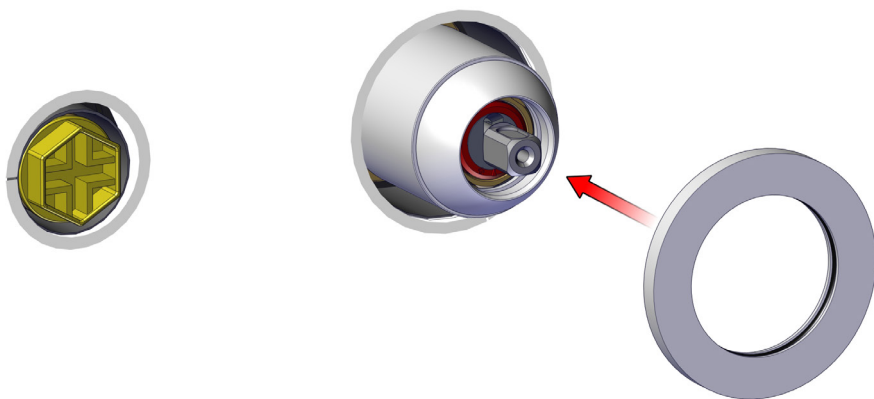
Art. 039 6043X - 043 6043X



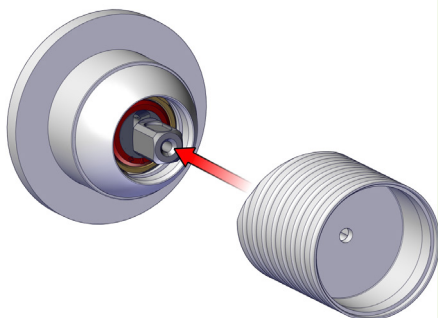
INSTALLAZIONE

INSTALLATION - INSTALLATION - INSTALLATION - INSTALACIÓN

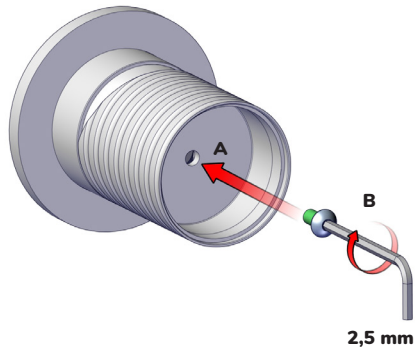
5



6



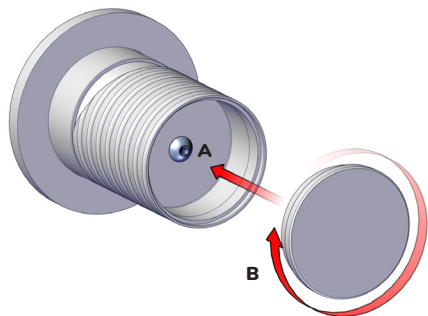
7



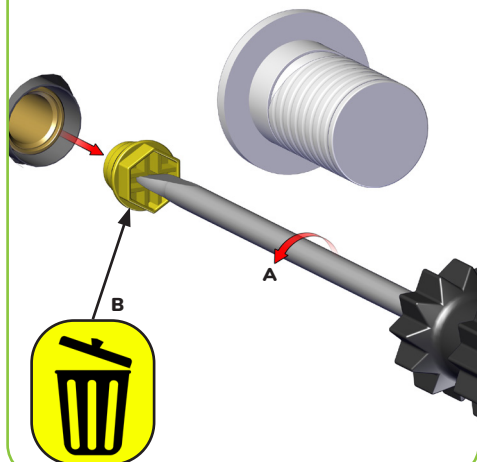
INSTALLAZIONE

INSTALLATION - INSTALLATION - INSTALLATION - INSTALACIÓN

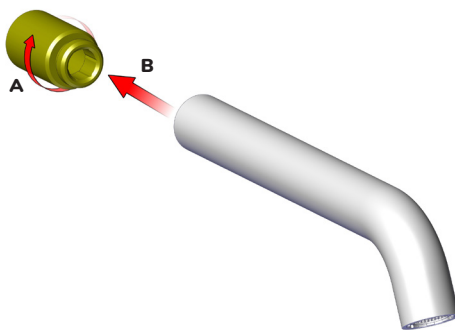
8



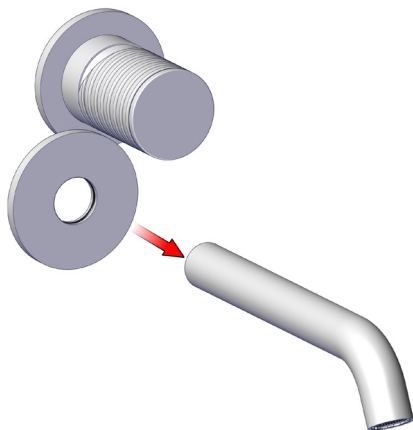
9



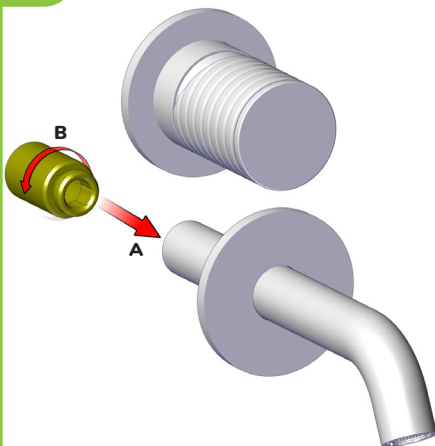
10



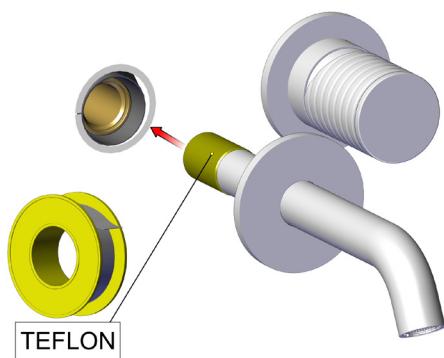
11



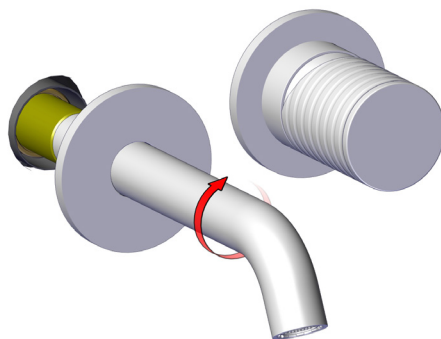
12



13



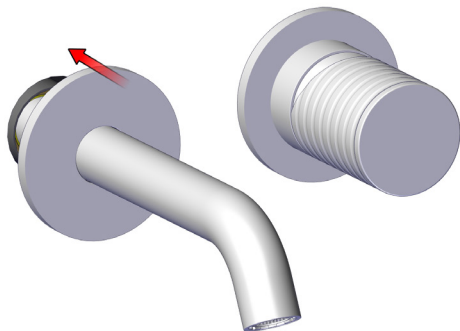
14



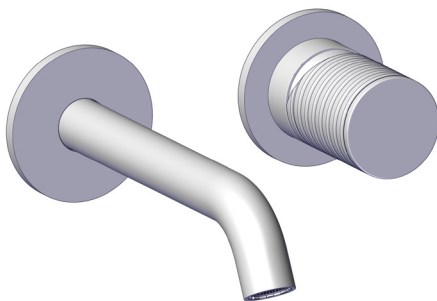
INSTALLAZIONE

INSTALLATION - INSTALLATION - INSTALLATION - INSTALACIÓN

15

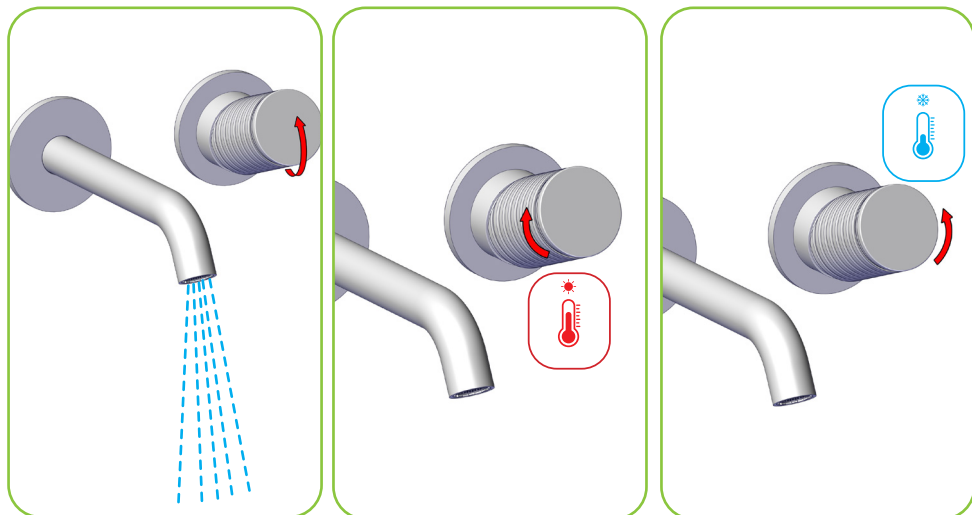


16



UTILIZZO

USO - UTILISATION - GEBRAUCH - UTILIZAÇÃO



PULIZIA

CLEANING - NETTOYAGE - REINIGUNG - LIMPIEZA



Detergente neutro
Neutral detergent



Acqua
Water



Panno morbido
Soft cloth



Detergenti corrosivi
Corrosive detergents



Spugne abrasive
Scouring pads

INSTALLAZIONE

INSTALLATION - INSTALLATION - INSTALLATION - INSTALACIÓN

Art. 003 6066X - 038 6066X - 057 6066X

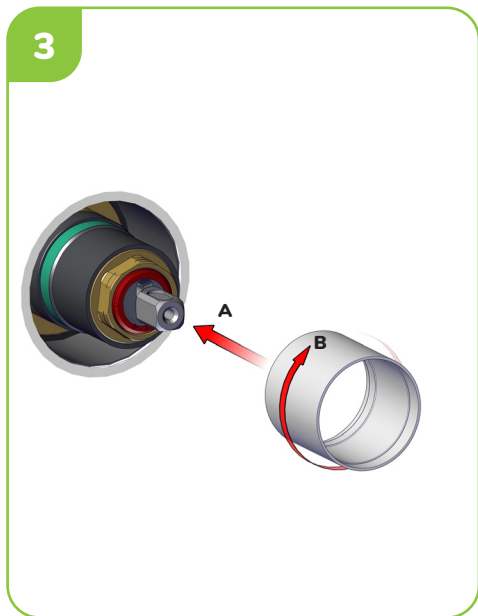
1



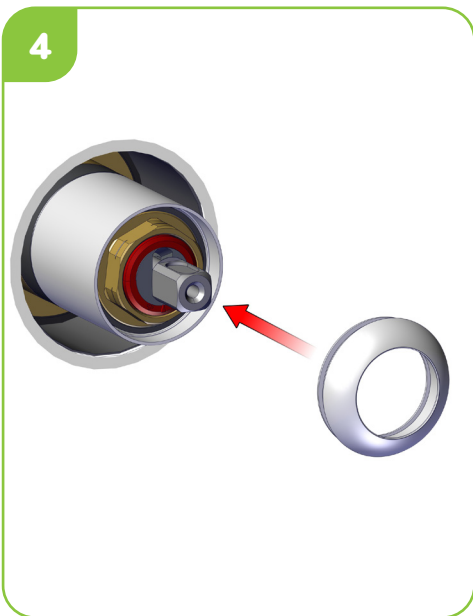
2



3



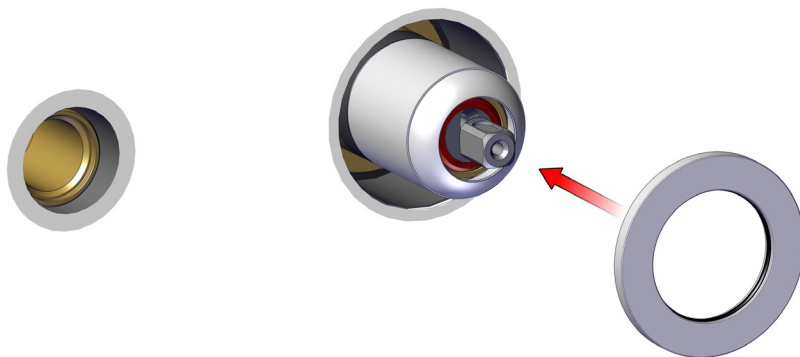
4



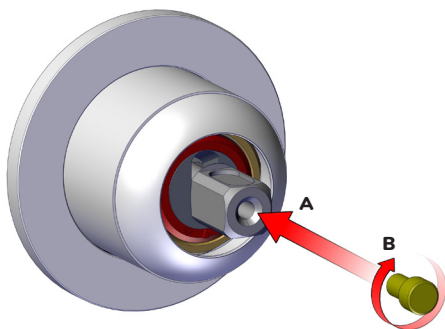
INSTALLAZIONE

INSTALLATION - INSTALLATION - INSTALLATION - INSTALACIÓN

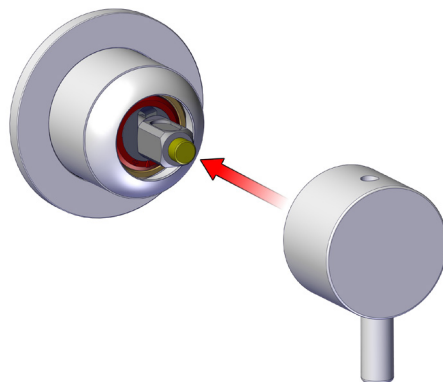
5



6



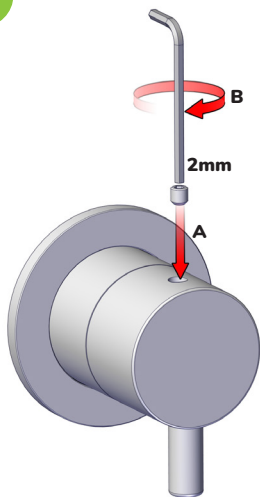
7



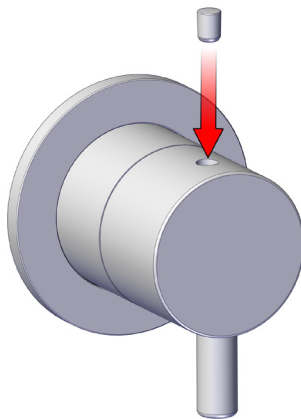
INSTALLAZIONE

INSTALLATION - INSTALLATION - INSTALLATION - INSTALACIÓN

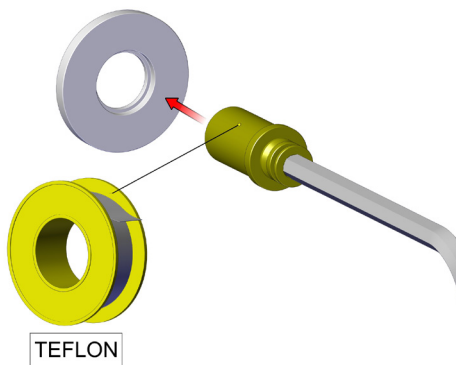
8



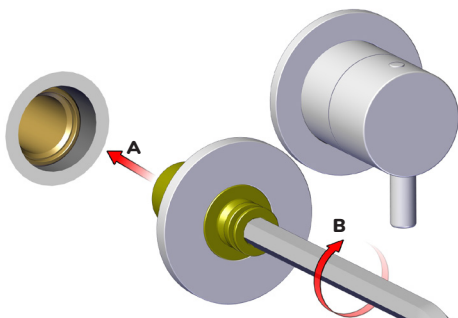
9



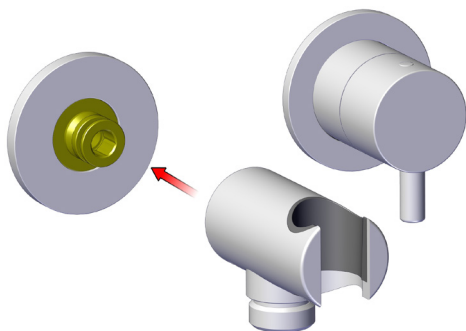
10



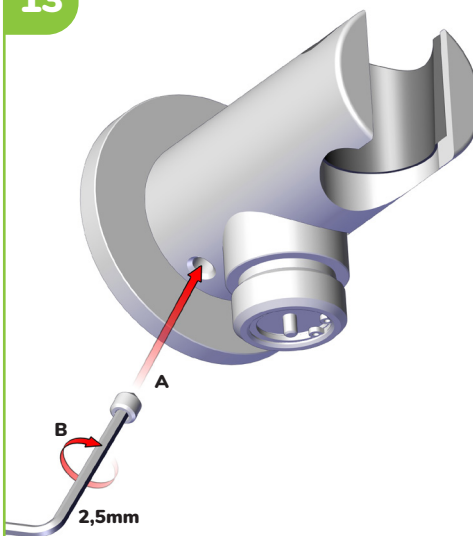
11



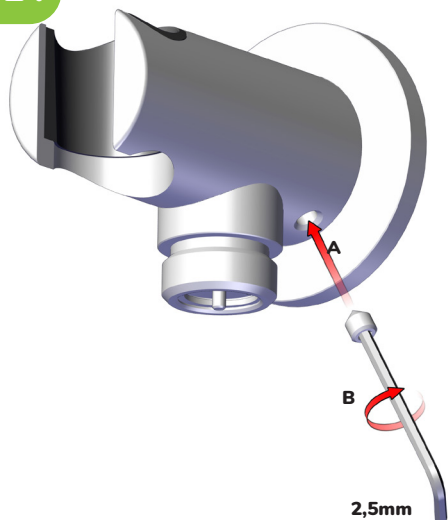
12



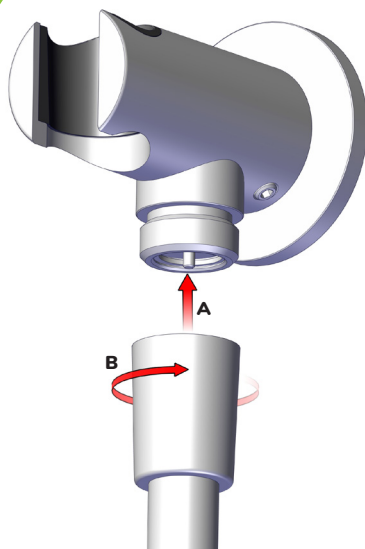
13



14



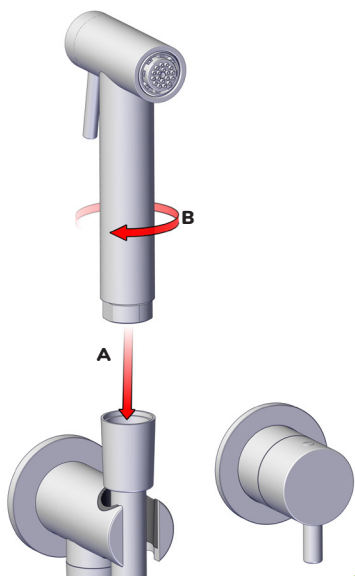
15



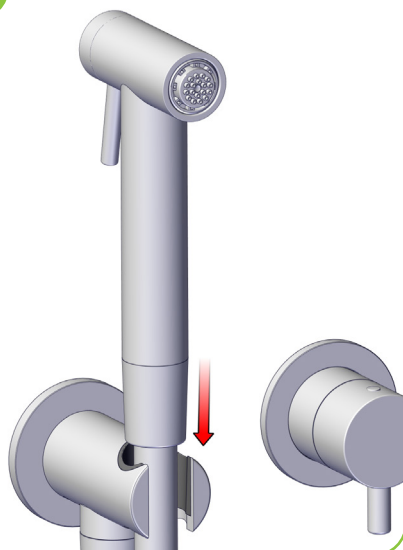
INSTALLAZIONE

INSTALLATION - INSTALLATION - INSTALLATION - INSTALACIÓN

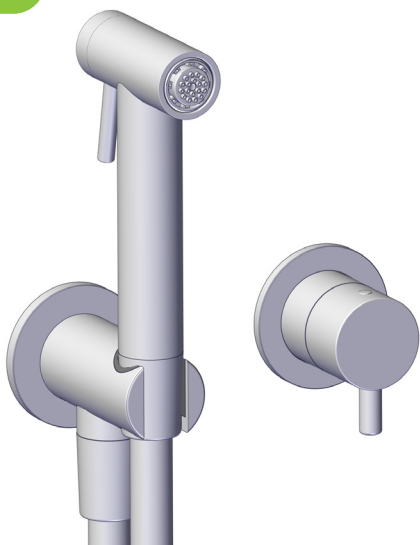
16



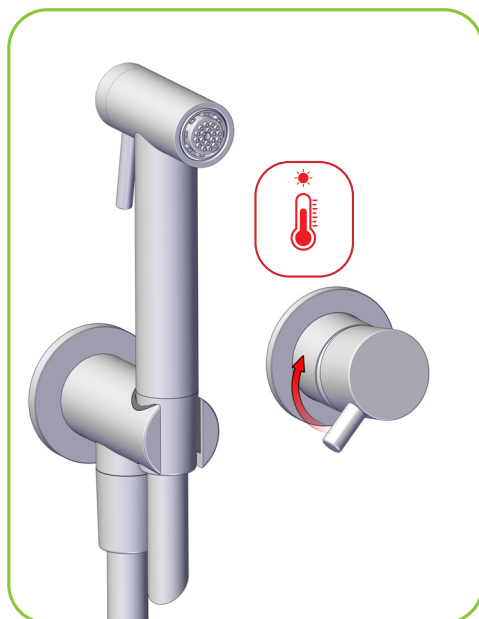
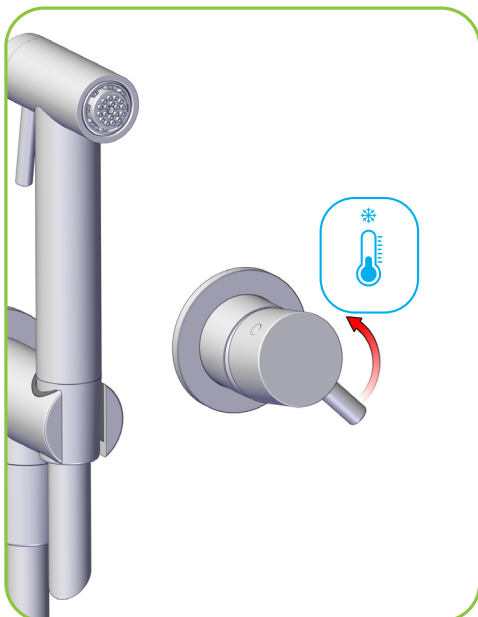
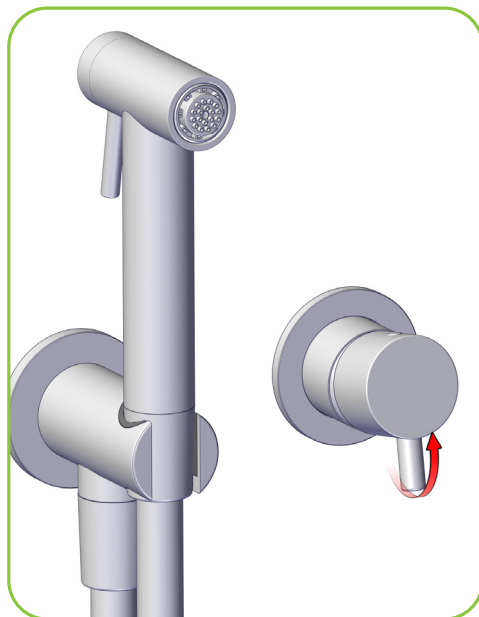
17



18



UTILIZZO
USO - UTILISATION - GEBRAUCH - UTILIZAÇÃO



SUPER[®]
INOX 

SUPER INOX s.r.l.
Via dell' Industria, 19 C/D
28924 Verbania (VB) – Italia